



EMS004

TANKSTAND-DF

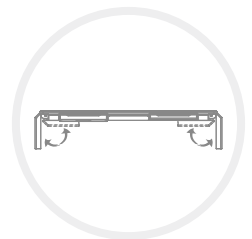
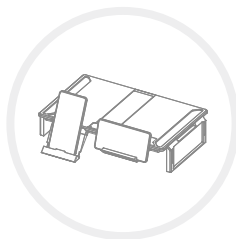
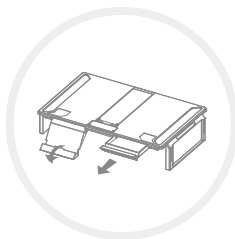
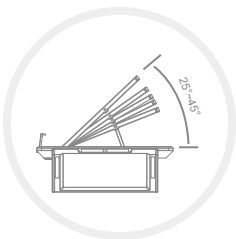
TANKSTAND-DF



- *Foldable Stand for Monitor and Laptop*
- *5-Angle and 2-Height Adjustable for Laptop*
- *Sturdy and Stable Non-slip Design*
- *Built-in Phone Stand and Drawer*
- *Keyboard Storage*
- *15KG Affordable*

Features

- **User Friendly with Multiple Adjustment Options**
 - Supports up to 15.6-inches Laptop
 - Foldable Design Offering 2 Heights: 3cm/8cm
 - 5-angle Adjustable for Laptop
- **Good Helper for Desktop Storage**
 - 1 Built-in Mobile Phone Stand
 - 1 Drawer to Store Small Stationaries
 - Keyboard Storage Space
- **Sturdy and Stable**
 - Non-slip Design Around All Sides
 - Surface Capable of Bearing up to 15kg



Monitor / Laptop Stand



Multifunctional Storage Space



2-Height Adjustable



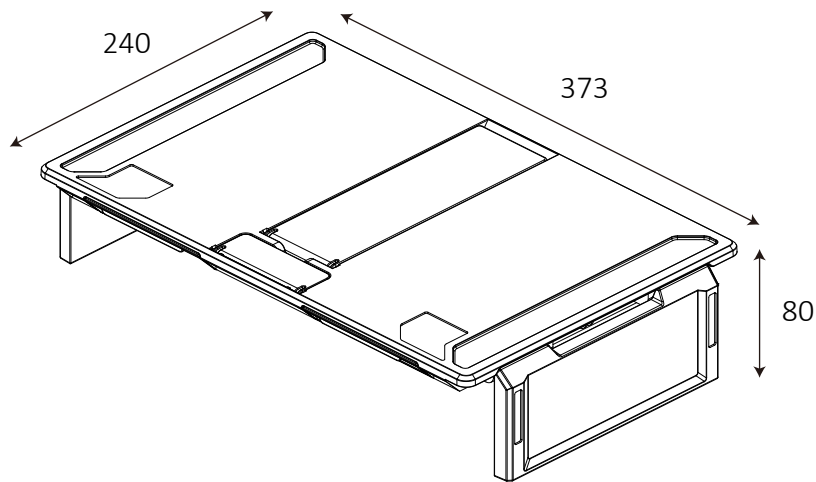
5-Angle Adjustable



15kg Affordable

Dimension

unit : mm



Specifications

Model		EMS004
Color		Black
Material		Plastic + Metal
Weight Bearing Compatibility		15 kg
Logistic Information		
Bar code	EAN	4713157727473
	UPC	819315027479
Package Dimension		387 x 243 x 38 mm
Gross Weight / Pack		1.1 kg
Carton Dimension		410 x 400 x 285 mm
Unit / Carton		10 pcs
Gross Weight / Carton		12.1 kg