

- User's Manual
- Benutzerhandbuch
- Manuel d'utilisateur
- Manual del Usuario
- 使用说明书
- Manuale dell'Utente
- 使用説明書
- Руководство для пользователя
- Podręcznik użytkownika
- คู่มือการใช้งาน
- 사용자 매뉴얼
- Kullanım Kılavuzu
- 取扱説明書

Precaution Notice

Only a technician, authorized by ENERMAX, is allowed to perform maintenance service! Warranty is subject to void under unauthorized attempt to open the power case or modification of any kinds, even attempted only, of the power supply or its components!

ENERMAX will not be responsible for damages caused by following situations:

- Opening of the PSU case and/or modification of any component or cable without ENERMAX written authorization.
- Ignoring connector's wrong insertion prevention design by attaching a connector to a device in wrong orientation.
- Connecting too many devices to one cable unit by using additional adaptor (Y cables).
- The serial number label or warranty seal is defaced, modified, or removed.
- Damage caused by natural phenomena or uncontrollable forces, such as lightning, flooding, fire, earthquake, etc.

▲ Main plug is used as the disconnect device, the disconnect device shall remain ready for operating.

▲ Apparatus shall be connected to a MAINS socket outlet with a protective earthing connection.

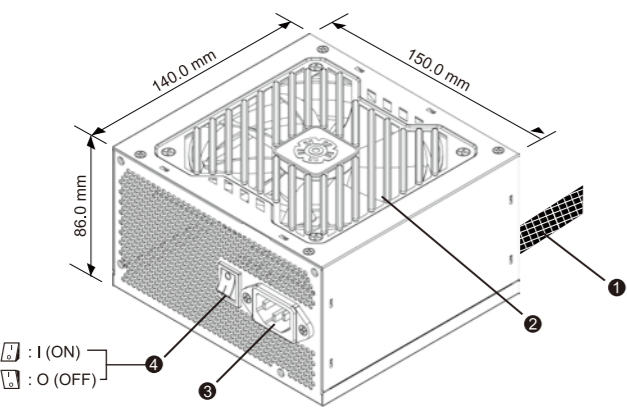
This ENERMAX Technology Corporation product is warranted to be free from defects in material and workmanship for a period of five (5) years from the date of purchase. ENERMAX Technology Corporation agrees to repair or replace the product, at its own option and at no charge, if, during the warranty period, it is returned to nearest ENERMAX Technology Corporation subsidiary/agent with all shipping charges prepaid and bearing a return merchandise authorization (RMA) number, and if inspection reveals that the product is defective. Charges for removing or installing the product are excluded under the terms of this warranty agreement. This warranty shall not apply to any product, which has been subject to connection to a faulty power source, alteration, negligence, or accident, or to any product, which has been installed other than in accordance with these instructions. In no event shall ENERMAX Technology Corporation, or its subsidiaries, or agents be liable for damages for a breach of warranty in an amount exceeding the purchase price of this product.

If you are uncertain whether or not your ENERMAX PSU is defective, please contact your dealer/reseller for support!

Web Site: <http://www.enermax.com>
E-mail: enermax@enermax.com

© 2025, ENERMAX Technology Corporation,
2F-1, No. 888, Jing-Guo Road, Taoyuan City (330),
Tel. +886-3-316-1675, Fax. +886-3-346-6640

All rights reserved. Actual product and accessories may differ from illustrations. Information in this manual is subject to change without prior notice. Printing errors and omissions excepted. All trademarks, registered trademarks and/or product names mentioned are the property of their respective owners.



Name of Parts

- Output cable: Please check "Cables & Connectors" section
- 12cm fan
- AC inlet
- I/O switch: individual PSU on/off switch (If ON, On/OFF)

*When assemble or maintain the system, please remove AC cord from AC inlet.

NOMBRES DE PARTES

- Cable de salida: Verifique el párrafo „CABLES Y ENCHUFES“
- Ventilador de 12cm
- Enchufe de corriente
- I/O interruptor: separador interruptor de la fuente por En/OFF (If En, On/OFF)

*Desenchufe siempre el cable de la corriente de la fuente y arraque el interruptor I/O a "O" mantenimiento de sistema.

НАИМЕНОВАНИЕ ДЕТАЛЕЙ

- Выходной кабель. См. раздел «Кабели и разъемы»
- 12см вентилятор
- Фильтр входа переменного тока
- Выключатель: индивидуальный выключатель БП (If En, On/OFF)

*При сборке и обслуживании системы отсоедините кабель переменного тока от гнезда переменного тока или переключите выключатель в положение «О».

部品名

- 出力ケーブル：「ケーブルとコネクタ」の項を参照し、ご確認ください。
- 12cmファン
- AC入力端子
- I/Oスイッチ：電源/オフスイッチ (If ON, On/OFF)

*コンピュータの組み立てやメンテナンスを行う場合、AC電源ケーブルを電源プラグまたはI/Oスイッチを「O」位置までオフにする。

外觀結構

- 輸出线材：請參閱「線材及連接頭」說明
- 12公分風扇
- AC交流電源插頭
- I/O開關：電源供應器獨立開關 (If On, On/OFF)

*當您裝設或維修系統時，請將AC電源線從插座中移除，或從開關/開關切換到「O」位置。

각 부품별 명칭 및 설명

- 출력 케이블: 「케이블 및 커넥터」 항목 참조 (확인)
- 12cm 팬
- AC 소켓
- I/O 스위치: PSU On/OFF 스위치 (If On, On/OFF)

*시스템 조립 또는 유지보수 시 AC 전원 케이블을 콘센트에서 분리하거나 I/O 스위치를 'O' 로 설정하십시오.

Parça İsimleri

- Çıkış kabloları: Lütfen "Kablolar ve Bağlantılar" bölümüne bakın.
- 12cm fan
- AC girişi
- I/O anahtarı: PSU'nun açma/kapama anahtarı (If On, On = KAPALI)

*Sistem kurulumu veya bakımı yaparken, AC kablosunu AC girişinden çıkarın.

Specifications

Spec.	Model	ERS850EWT-V2	ERS1050EWT-V2	ERS1200EWT-V2		
AC Input Voltage		100-240VAC, 47-63Hz	100-240VAC, 47-63Hz	100-240VAC, 47-63Hz		
AC Input Current		11-5.5A	13-5.6A	15-7A		
DC Output						
	Rated	Combined	Rated	Combined	Rated	Combined
+3.3V	20A	130W	20A	130W	20A	130W
+5V	20A		20A	20A	20A	20A
+12V	70.5A	846W	87.5A	1050W	100A	1200W
-12V	0.3A	3.6W	0.3A	3.6W	0.3A	3.6W
+5Vsb	3A	15W	3A	15W	3A	15W
Total Power	850W		1050W		1200W	
Environment						
Temp.	Operating: 0°C to +40°C Non-operating: -20°C to +70°C					
Humidity	Operating: 20% to 90% relative humidity (non-condensing). Non-operating: 5% to 95% relative humidity (non-condensing).					
Others						
Power Factor	>0.98 at 230Vac 50Hz(Full load)					
Cooling	One 12cm Hydraulic Bearing fan					
MTBF	100K hours minimum					
Dimension	150(W)*66(H)*140(D) mm					
Safety&EMC	cTUVus, CE, FCC, EAC, BSMI					

English

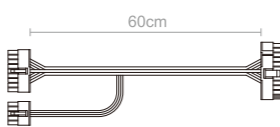
Dear customer,

Thank you for choosing this ENERMAX REVOLUTION ATX 3.1 power supply unit (PSU)! Please read this manual carefully and follow its instructions, before installing the PSU.

Please only use the modular cables provided in your ENERMAX power supply package. Do NOT use other modular cables to prevent pin configuration damage to your system and your power supply.

CABLES & CONNECTORS

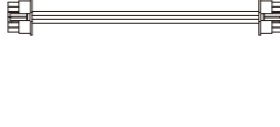
Motherboard 24 pin x 1



CPU 4+4 pin x 2



12V-2x6 12+4 pin x 1



COMPATIBILITY

ENERMAX REVOLUTION ATX 3.1 series is compatible with:

- Intel ATX Power Supply Design Guide v3.0 / v2.53 specification and downward compatible with v2.4

This PSU does not support motherboard with ISA expansion slot, which might require -5V power. -5V has been cancelled from Intel ATX v1.3 specification onwards.

Due to failures and to increase lifetime of your entire PC, we suggest you to make sure that:

- Your PC is NOT located near a radiator or any other heat producing device
- Your PC is NOT located near a magnetic device
- Your PC is NOT located in a moist and/or dusty and/or vibrating environment
- Your PC is NOT exposed to direct sunshine
- Your PC is sufficiently cooled by additional fans

We do not recommend using PC systems with fanless cooling, because a potentially high inner temperature decreases stability and lifetime of all components inside your PC!

BOOTING YOUR SYSTEM

Before booting your system, please check that:

1. All needed connectors are properly connected.
2. AC cord is properly connected to wall plug and PSU AC inlet.
3. Turn on the power supply by switching the I/O switch to "I", and your system is ready.

PROTECTION, SAFETY & SECURITY

This ENERMAX PSU features multiple protections. In case of most abnormal situations, the power supply will automatically turn off to avoid potential danger to itself and other PC components. If you have any question or need support, please contact your reseller or nearest ENERMAX subsidiary/agent or ENERMAX headquarter service center.

외국인분위

1. 출력 케이블: 「케이블 및 커넥터」 항목 참조 (확인)
2. 12cm 팬
3. AC 소켓
4. I/O 스위치: PSU On/OFF 스위치 (If On, On/OFF)

*시스템 조립 또는 유지보수 시 AC 전원 케이블을 콘센트에서 분리하거나 I/O 스위치를 'O' 로 설정하십시오.

Parça İsimleri

1. Çıkış kabloları: Lütfen "Kablolar ve Bağlantılar" bölümüne bakın.
2. 12cm fan
3. AC girişi
4. I/O anahtarı: PSU'nun açma/kapama anahtarı (If On, On = KAPALI)

*Sistem kurulumu veya bakımı yaparken, AC kablosunu AC girişinden çıkarın.

Specifications

Spec.	Model	ERS850EWT-V2	ERS1050EWT-V2	ERS1200EWT-V2		
AC Input Voltage		100-240VAC, 47-63Hz	100-240VAC, 47-63Hz	100-240VAC, 47-63Hz		
AC Input Current		11-5.5A	13-5.6A	15-7A		
DC Output						
	Rated	Combined	Rated	Combined	Rated	Combined
+3.3V	20A	130W	20A	130W	20A	130W
+5V	20A		20A	20A	20A	20A
+12V	70.5A	846W	87.5A	1050W	100A	1200W
-12V	0.3A	3.6W	0.3A	3.6W	0.3A	3.6W
+5Vsb	3A	15W	3A	15W	3A	15W
Total Power	850W		1050W		1200W	
Environment						
Temp.	Operating: 0°C to +40°C Non-operating: -20°C to +70°C					
Humidity	Operating: 20% to 90% relative humidity (non-condensing). Non-operating: 5% to 95% relative humidity (non-condensing).					
Others						
Power Factor	>0.98 at 230Vac 50Hz(Full load)					
Cooling	One 12cm Hydraulic Bearing fan					
MTBF	100K hours minimum					
Dimension	150(W)*66(H)*140(D) mm					
Safety&EMC	cTUVus, CE, FCC, EAC, BSMI					

Web Site: <http://www.enermax.com>
E-mail: enermax@enermax.com

Information in this document is subject to change without notice. © 2025 ENERMAX Technology Corporation. All rights reserved. Reproduction in any manner without the written permission of ENERMAX is strictly forbidden.

Deutsch

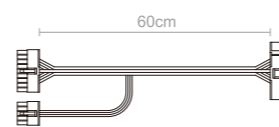
Sehr geehrte Kundin, sehr geehrter Kunde,

vielen Dank, dass Sie sich für dieses ENERMAX REVOLUTION ATX 3.1-Netzteil (PSU) entschieden haben! Bitte lesen Sie sich dieses Handbuch sorgfältig durch und folgen Sie bitte seinen Anweisungen bevor Sie das Netzteil installieren!

Please only use the modular cables provided in your ENERMAX power supply package. Do NOT use other modular cables to prevent pin configuration damage to your system and your power supply.

KABEL & ANSCHLÜSSE

Motherboard 24 pin x 1



CPU 4+4 pin x 2



12V-2x6 12+4 pin x 1



KOMPATIBILITÄT

ENERMAX REVOLUTION ATX 3.1 PSU Serie ist kompatibel mit:

- Intel ATX Power Supply Design Guide v3.0 / v2.53 Spezifikation und abwärtskompatibel mit v2.4

Dieses Netzteil unterstützt keine motherboard's mit ISA Erweiterungs slots, welche -5V benötigen könnten. -5V wurde ab Intel ATX v1.3 Spezifikation abgeschafft.

Um solche Ausfälle zu vermeiden und um die Lebensdauer Ihres PC's zu verlängern, empfehlen wir Ihnen sicherzustellen, dass:

- Ihr PC nicht neben einer Heizung oder einer anderen Wärmequelle steht
- Ihr PC nicht in einer feuchten und/oder staubigen und/oder vibrierenden Umgebung steht
- Ihr PC nicht dem direkten Sonnenlicht ausgesetzt ist
- Ihr PC ausreichend durch Lüfter gekühlt wird.

Wir raten vom Gebrauch von Kältesystem-PC-Systemen ab, da eine erhöhte Gehäusetemperatur die Stabilität und Lebensdauer aller PC-Komponenten beeinträchtigt!

EINSCHALTEN IHRES SYSTEMS

- Bevor Sie dieses tun, stellen Sie bitte sicher, dass:
1. Alle erforderlichen Anschlüsse sind richtig verbunden.
 2. Kaltgerätekabel (Stromkabel) korrekt an Steckdose und Netzteil angeschlossen ist.
 3. Drücken Sie am Netzteil den I/O-Schalter auf "I", das System ist jetzt bereit!

SICHERHEITSFUNKTIONEN

Dieses ENERMAX-Netzteil verfügt über mehrere Schutzvorkehrungen. In den meisten ungewöhnlichen Situationen schaltet sich das Netzteil automatisch ab, damit mögliche Gefahren für das Netzteil selbst und andere PC-Komponenten abgewendet werden. Wenn Sie Fragen haben oder Unterstützung benötigen, wenden Sie sich bitte an Ihren Händler oder die nächstgelegene ENERMAX-Zweigstelle-/Vertretung bzw. das Kundencenter den ENERMAX-Hauptzeltes.

외국인분위

1. 출력 케이블: 「케이블 및 커넥터」 항목 참조 (확인)
2. 12cm 팬
3. AC 소켓
4. I/O 스위치: PSU On/OFF 스위치 (If On, On/OFF)

*시스템 조립 또는 유지보수 시 AC 전원 케이블을 콘센트에서 분리하거나 I/O 스위치를 'O' 로 설정하십시오.

Parça İsimleri

1. Çıkış kabloları: Lütfen "Kablolar ve Bağlantılar" bölümüne bakın.
2. 12cm fan
3. AC girişi
4. I/O anahtarı: PSU'nun açma/kapama anahtarı (If On, On = KAPALI)

*Sistem kurulumu veya bakımı yaparken, AC kablosunu AC girişinden çıkarın.

Specifications

Spec.	Model	ERS850EWT-V2	ERS1050EWT-V2	ERS1200EWT-V2		
AC Input Voltage		100-240VAC, 47-63Hz	100-240VAC, 47-63Hz	100-240VAC, 47-63Hz		
AC Input Current		11-5.5A	13-5.6A	15-7A		
DC Output						
	Rated	Combined	Rated	Combined	Rated	Combined
+3.3V	20A	130W	20A	130W	20A	130W
+5V	20A		20A	20A	20A	20A
+12V	70.5A	846W	87.5A	1050W	100A	1200W
-12V	0.3A	3.6W	0.3A	3.6W	0.3A	3.6W
+5Vsb	3A	15W	3A	15W	3A	15W
Total Power	850W		1050W		1200W	
Environment						
Temp.	Operating: 0°C to +40°C Non-operating: -20°C to +70°C					
Humidity	Operating: 20% to 90% relative humidity (non-condensing). Non-operating: 5% to 95% relative humidity (non-condensing).					
Others						
Power Factor	>0.98 at 230Vac 50Hz(Full load)					
Cooling	One 12cm Hydraulic Bearing fan					
MTBF	100K hours minimum					
Dimension	150(W)*66(H)*140(D) mm					
Safety&EMC	cTUVus, CE, FCC, EAC, BSMI					

Web Site: <http://www.enermax.com>
E-mail: support@enermax.de

Die Informationen in diesem Dokument unterliegen unangekündigten Änderungen. ©2025 ENERMAX Technology Corporation. Alle Rechte vorbehalten. Die Vervielfältigung dieses Dokuments in jeglicher Form ist ohne schriftliche Genehmigung von ENERMAX streng untersagt.

Français

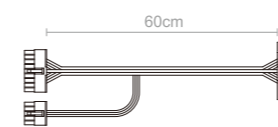
Chers clients,

Merci d'avoir choisi l'alimentation ENERMAX REVOLUTION ATX 3.1 ! Veuillez lire avec attention ce manuel avant de procéder à l'installation de l'alimentation.

Utilisez uniquement les câbles modulaires fournis dans l'emballage de votre alimentation ENERMAX. N'utilisez jamais d'autres câbles modulaires et ce, afin d'éviter d'abîmer les broches ou d'endommager votre système et votre alimentation.

CABLES & CONNECTEURS

Motherboard 24 pin x 1



CPU 4+4 pin x 2



12V-2x6 12+4 pin x 1



COMPATIBILITÉ

La série ENERMAX REVOLUTION ATX 3.1 est compatible avec:

- Intel ATX Power Supply Design Guide v3.0 / v2.53 et les versions antérieures v2.4

Cette alimentation ne supporte pas les cartes mères avec un slot ISA, qui pourrait demander une source d'alimentation -5V. Cette dernière a été retirée des spécifications Intel ATX v1.3.

Pour éviter tous problèmes et augmenter la durée de vie de votre PC, nous vous suggérons de:

- Ne pas placer votre PC près d'un radiateur ou de toutes autres sources de chaleur
- Ne pas placer votre PC près d'une source magnétique
- Ne pas placer votre PC dans une pièce humide, et/ou sale, et/ou un environnement soumis à des vibrations
- Ne pas exposer votre PC à la lumière directe du soleil
- Suffisamment refroidir votre PC par l'ajout de ventilateurs supplémentaires si nécessaire

Nous ne recommandons pas d'utiliser un PC avec un système totalement fanless, car cela peut provoquer une hausse importante de température qui diminue la durée de vie du PC et de tous ses composants.

DEMARRER VOTRE SYSTÈME

- Avant de démarrer votre système, veuillez vérifier les points suivants:
1. Tous les connecteurs nécessaires sont correctement branchés.
 2. Le cordon d'alimentation doit être connecté à la prise électrique murale et à l'alimentation.
 3. Placer le bouton I/O de l'alimentation sur la position "I" et votre PC est prêt à démarrer.

PROTECTION, PRECAUTION ET SECURITE

Ce bloc d'alimentation ENERMAX dispose de multiples protections. Dans la plupart des situations anormales, l'alimentation s'arrêtera automatiquement pour éviter tout danger potentiel pour elle-même et les autres composants du PC. Si vous avez des questions ou besoin d'assistance supplémentaire, veuillez contacter votre revendeur ou le distributeur/l'agent ENERMAX le plus proche ou le centre de service d'ENERMAX.

외국인분위

1. 출력 케이블: 「케이블 및 커넥터」 항목 참조 (확인)
2. 12cm 팬
3. AC 소켓
4. I/O 스위치: PSU On/OFF 스위치 (If On, On/OFF)

*시스템 조립 또는 유지보수 시 AC 전원 케이블을 콘센트에서 분리하거나 I/O 스위치를 'O' 로 설정하십시오.

Parça İsimleri