



LIQTECH I20X

ALL-IN-ONE LIQUID CPU COOLER

TDP 300W+



Intel® LGA 775/I150/I151/I155/I156/I366/2011
AMD® AM2/AM2+/AM3/AM3+/FMI/FM2/FM2+



Shunt-Channel-Technology



3 Cooling Modes



High-pressure airflow fan



Bearing Technology



Dual Fans



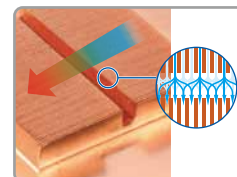
Detachable Blades



Application view



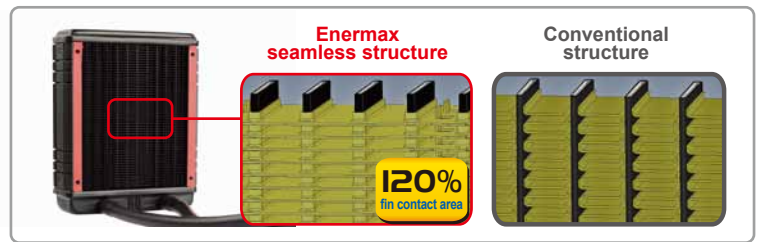
Flexible polyamide (PA) rubber tube



Patented Shunt-Channel-Technology (SCT) Cold Plate



High-pressure airflow fan with patented APS control



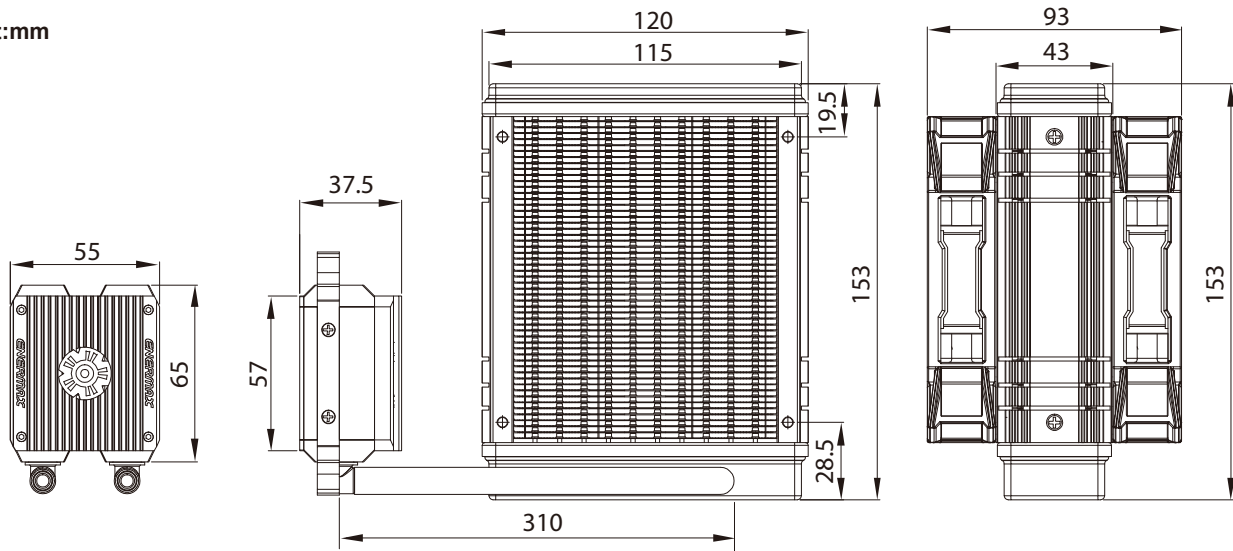
Double-thick radiator with seamless contact area

Features

- High quality aluminum water block prevents operating noise and improves cooling efficiency.
- Patented Shunt-Channel-Technology (SCT) boosts thermal conductivity and eliminates any heat surge.
- Precise micro-channel cold plate enlarges the cooling surface.
- Innovative radiator structure provides seamless contact area and increases heat dissipating speed.
- Double-thick radiator enhances heat exchange capacity and cooling performance.
- High-pressure airflow fan with smart APS (Adjustable peak speed) control providing 3 peak rpm options.
- All-in-one liquid cooling system with maintenance free prefilled coolant.
- Ceramic bearing pump for longer life span and noiseless operation.
- Flexible polyamide (PA) rubber tubes ensure zero permeability.
- Easy-install smart bracket gives perfect contact force with CPU.

Dimensions

Unit:mm



Specifications

Model		ELC-LT120X-HP
Cold Plate	Material	Copper
	Bearing	Ceramic Bearing
Pump	MTBF	50,000 hour
	Motor Speed	2700 rpm \pm 10 %
	Rated Voltage	12V
	Rated Current	0.3A
	Dimension	153 x 120 x 43 mm
Radiator	Material	Aluminum
	Material	Polyamide (PA) rubber
Tube	Length	310 mm
	Weight (w/o fan)	955 g
Bracket	Compatibility	Intel® LGA 775/1150/1151/1155/1156/1366/2011 AMD® AM2/AM2+/AM3/AM3+/FM1/FM2/FM2+
	Dimension	120 x 120 x 25mm
Fan	Bearing	Twister Bearing
	MTBF	\geq 160,000 hrs
	Speed	600-1300/2000/2500 rpm \pm 10 %
	Rated Voltage	12V
	Rated Current	0.13A/0.27A/0.45A
	Air Flow	28.6~60.3/88.9/111.0 CFM 48.5~102.4/150.9/188.7 m ³ /h
	Static Pressure	0.8~1.7/4.7/7.4 mm-H ₂ O
	Noise Level	15~21.5/27/30 dBA
	Connector	4 pin PWM
	Warranty	2 years