



LIQMAX IV

ALL-IN-ONE LIQUID CPU COOLER

User Manual

Follow ENERMAX on social media for the latest information and show us your build with hashtag #ENERMAX

Facebook: <https://www.facebook.com/OfficialENERMAX>

Instagram: <https://www.instagram.com/OfficialENERMAX>

Twitter: <https://twitter.com/OfficialENERMAX>

YouTube: <https://www.youtube.com/@OfficialENERMAX>

Thank you for choosing our product! This printed user manual provides content in 7 languages (Chinese Simplified, Chinese Traditional, English, French, German, Japanese, and Korean). ENERMAX's official website also offers an electronic version of the installation manual with translations in 14 languages: Chinese Simplified, Chinese Traditional, English, French, German, Indonesian, Italian, Japanese, Korean, Polish, Russian, Spanish, Thai and Turkish.

Please scan the QR code to download, or visit the LIQMAX IV English product webpage and download it from the Download section:

LIQMAX IV 120 :

<https://www.enermax.com/en/products/liqmax-iv-series-120mm-liquid-cpu-cooler>

LIQMAX IV 240 :

<https://www.enermax.com/en/products/liqmax-iv-series-240mm-liquid-cpu-cooler>

LIQMAX IV 360 :

<https://www.enermax.com/en/products/liqmax-iv-series-360mm-liquid-cpu-cooler>



LIQMAX IV 120



LIQMAX IV 240



LIQMAX IV 360

Index:

Limited Warranty	1
Warranty & Support information For Australia	1
Enermax Warranty TR	2
Specification	3
Part List	4
Installation	5
Change the Digital Display Orientation	15
ENERMAX Tuner Software User Manual	16

Limited Warranty

Please read this limited warranty carefully. Warranty is subject to void under following criteria:

1. The serial number label or warranty seal is defaced, modified, or removed.
2. Taking apart of the product and/or modification of any component or cable without ENERMAX's written authorization.
3. Ignoring connector's faulty-insertion-prevention design by attaching a connector to a device under incorrect orientation.
4. Damage caused by natural phenomena or uncontrollable forces, such as lightning, flooding, fire, earthquake, or misuse, abuse, negligence, accident, wear and tear, mishandling, misapplication.
5. ENERMAX is only liable for limited warranty service of ENERMAX product. ENERMAX is not liable for other damage or loss of time, interest, commercial opportunity due to using defect product of ENERMAX.

This ENERMAX Technology Corporation product is warranted to be free from defects in material and workmanship within three (3) years for all the models from the date of purchase. The warranty length may be different in diverse regions based on local policy. ENERMAX Technology Corporation agrees to repair or replace the product, at its option and at no charge, if, during the warranty period, it is returned to the nearest ENERMAX Technology Corporation subsidiary/agent with all shipping charges prepaid and if the inspection reveals that the product is defective. Please present the proof of purchase for requesting RMA. Charges for removing or installing the product are excluded under the terms of this warranty agreement. This warranty shall not apply to any product, which has been subject to connection to a faulty power source, alteration, negligence, or accident, or to any product, which has been installed other than by these instructions. In no event shall ENERMAX Technology Corporation, its subsidiaries, or agents be liable for damages for a breach of warranty in an amount exceeding the purchase price of this product.

產品相關保固資訊，請查閱安耐美官網
<https://www.enermax.com/policy/warranty>

Warranty & Support Information for Australia

Our goods come with guarantees that cannot be excluded under the Australian Consumer Law. You are entitled to a replacement or refund for a major failure and for compensation for any other reasonably foreseeable loss or damage.

You are also entitled to have the goods repaired or replaced if the goods fail to be of acceptable quality and the failure does not amount to a major failure. Please read the above limited warranty. This warranty is valid only for the ENERMAX products distributed by authorized dealer(s) in Australia.

Please contact ENERMAX for warranty and support information.

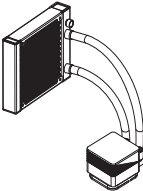
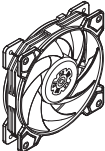
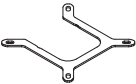

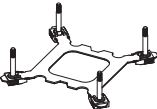
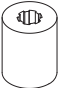



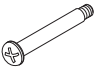


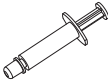

ENERMAX Technology Corporation
2F-1, No. 888, Jing-Guo Road, Taoyuan City (330)
Tel. +886-3-316-1675
Website : <http://www.enermax.com>
E-mail: enermax@enermax.com

Specification

Model		ELC-LMIV120-SF	ELC-LMIV240-SF	ELC-LMIV360-SF
CPU Socket		Intel® 1851/1700/115x/2066 AMD® AM5/AM4		
Radiator Dimension		154 x 120 x 27mm	274 x 120 x 27 mm	394 x 120 x 27mm
Tube Length		400 mm		
Material	Cold Plate	Copper		
	Radiator	Aluminum		
	Tube	Rubber		
Water Block Pump	Speed	1500~3100 RPM ±10%		
	Bearing	Ceramic bearing		
	MTBF	100,000 hrs		
	Rated Voltage	12V		
	Rated Current	0.35A		
Fan	Dimension	120 x 120 x 26.8 mm		
	MTTF	≥ 60,000 hrs		
	Speed	500~1800 RPM ±10%		
	Rated Voltage	12V		
	Rated Current	0.08A		
	Air Flow	58.03 CFM		
	Static Pressure	2.4 mmH2O		
	Noise Level	23.46 dBA		
	Connector	4 Pin PWM		
TDP		320W	370W	390W

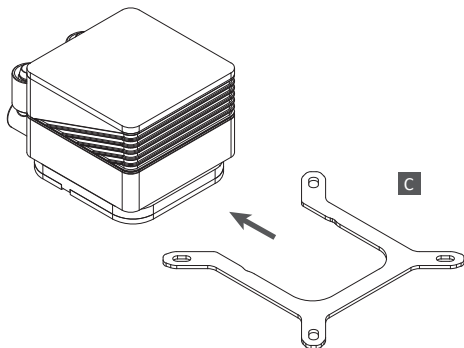
Part List

The components included with the part package depend on different areas and versions, please visit our website to check the newest information.

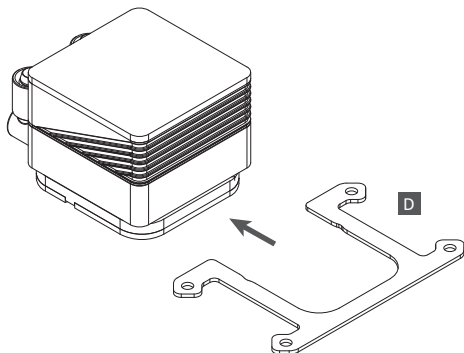
<p>A</p>  <p>Cooler x 1</p>	<p>B</p>  <p>Fan x 1 (for 120) Fan x 2 (for 240) Fan x 3 (for 360)</p>		
<p>C</p>  <p>Intel Clip x 1</p>	<p>D</p>  <p>AMD Clip x 1</p>	<p>E</p>  <p>Intel Back Plate x 1</p>	<p>F</p>  <p>Stand-off x 4</p>
<p>G</p>  <p>Intel LGA 2066 Screw x 4</p>	<p>H</p>  <p>AMD Screw x 4</p>	<p>I</p>  <p>Spring Screw x 4</p>	<p>J</p>  <p>Fan Screw x 4 (for 120) Fan Screw x 8 (for 240) Fan Screw x 12 (for 360)</p>
<p>K</p>  <p>Case Screw x 4 (for 120) Case Screw x 8 (for 240) Case Screw x 12 (for 360)</p>	<p>L</p>  <p>PWM Y Cable x 1</p>	<p>M</p>  <p>Thermal Grease x 1</p>	<p>N</p>  <p>Washer x 4</p>

Installation Step 1

Intel



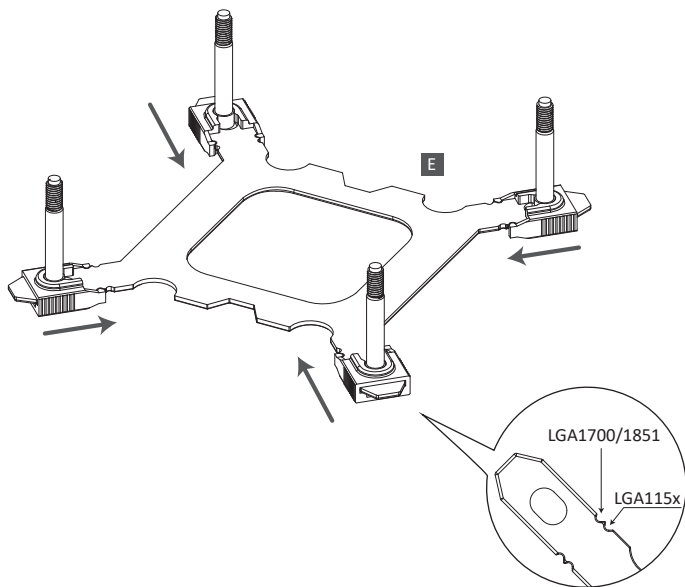
AMD



- EN** Install the bracket to the pump by sliding the bracket into the slot until secure.
DE Montieren Sie die Halterung an der Pumpe.
FR Installez et fixez les clips à la pompe.
JP ポンプにクリップを取り付けます。
TW 將支架安裝於水泵上。
CN 將支架安裝于水泵上。
KR 클립(C)을 이미지와 같이 워터 블록에 체결하세요.

Installation Step 2

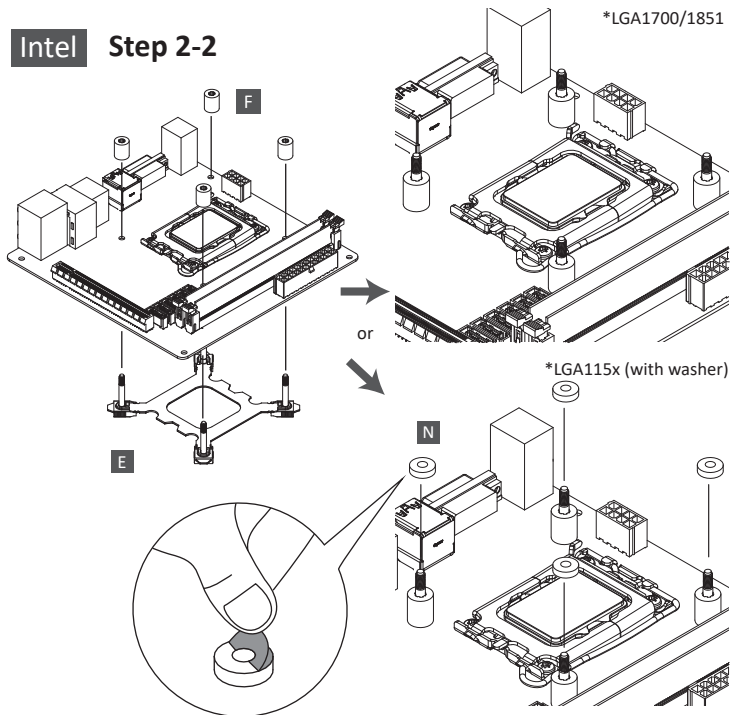
Intel Step 2-1



- EN** Insert the positioning screws into the backplate according to the markings, and snap the sliders into the corresponding positions based on the holes.
- DE** Setzen Sie die Positionierungsschrauben in den Backplate entsprechend den Markierungen ein und arretieren Sie die Schieber an den entsprechenden Positionen.
- FR** Insérez les vis de position dans la backplate conformément aux marquages, et enclenchez les curseurs dans les positions correspondantes en fonction des trous.
- JP** マークの位置に専用ネジをバックプレートに挿入し、穴に合わせてスライダを対応する位置にはめ込みます。
- TW** 插入螺絲並依據孔位將滑動件扣入對應位置。
- CN** 插入螺絲並依據孔位將滑動件扣入對應位置。
- KR** 표시한 부분에 따라 위치 지정 나사를 백플레이트에 삽입하고 구멍을 기준으로 슬라이더를 해당 위치에 끼웁니다.

Installation Step 2

Intel Step 2-2

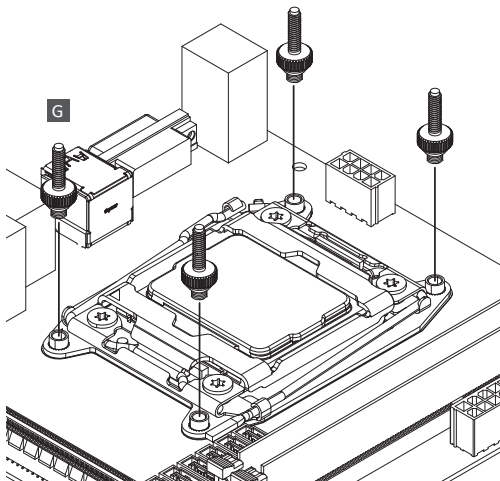


- EN** Install the Intel backplate onto the back of the motherboard. Then insert stand-off onto the positions screws.
- DE** Befestigen Sie die Intel-Backplate auf der Mainboard-Rückseite. Schrauben Sie die Backplate mit den zugehörigen Abstandshaltern fest.
- FR** Installez la plaque arrière Intel sous la carte-mère à l'aide des vis du support.
- JP** Intel用バックプレートをマザーボードの裏側に取り付けて、専用ネジで固定して下さい。
- TW** 將Intel背板以套筒固定於主板背面。
- CN** 將Intel背板以套筒固定于主板背面。
- KR** Intel 백 플레이트(F)를 마더보드 후면에 설치한 후 스탠드오프(I)를 이용하여 고정하세요.

Installation Step 2

Intel Step 2

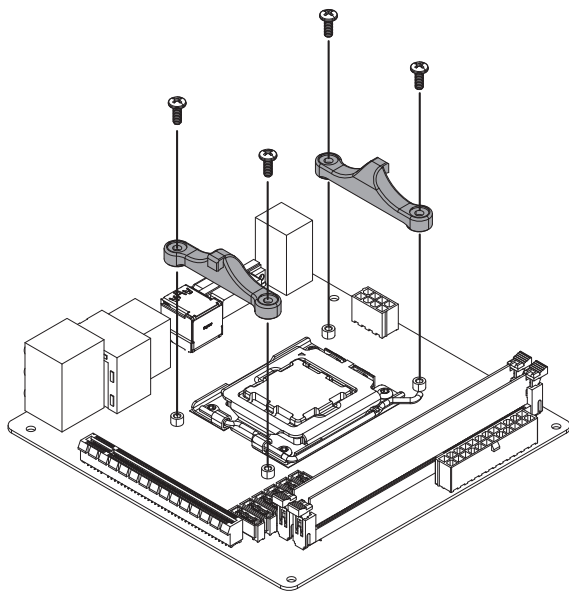
*LGA2066



- EN** Tighten the Intel LGA2066 screw to the motherboard.
DE Schrauben Sie die Backplate mit den passenden LGA2066 -Abstandshaltern am Mainboard fest.
FR Serrez les vis du support Intel LGA2066 à la carte-mère.
JP Intel LGA2066の場合は、専用ネジを使用して固定して下さい。
TW 將LGA2066螺絲固定於主板上。
CN 將LGA2066螺絲固定于主板上。
KR Intel LGA2066 스크류(J)를 마더보드 나사 홀에 고정하세요.

Installation Step 2

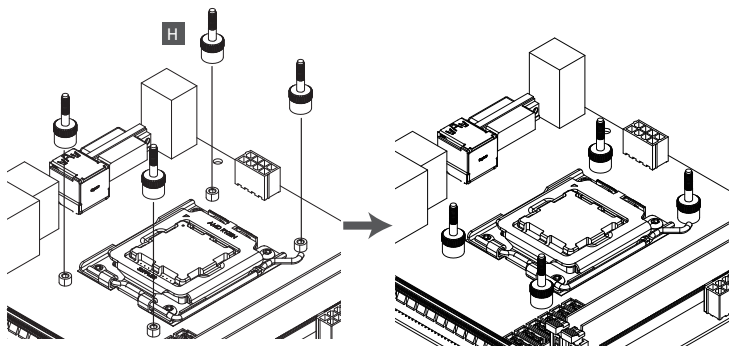
AMD Step 2-1



- EN** Remove the original AMD retention brackets and screws.
- DE** Entfernen Sie die ursprünglichen Schrauben und die Halterung.
- FR** Retirez les vis et le support d'origine.
- JP** 元のネジとブラケットを取り外します。
- TW** 移除主板上原本的螺絲與支架。
- CN** 移除主板上原本的螺絲与支架。
- KR** 마더보드 전면부에 장착된 기본 쿨러 고정 모듈을 제거해 주세요.

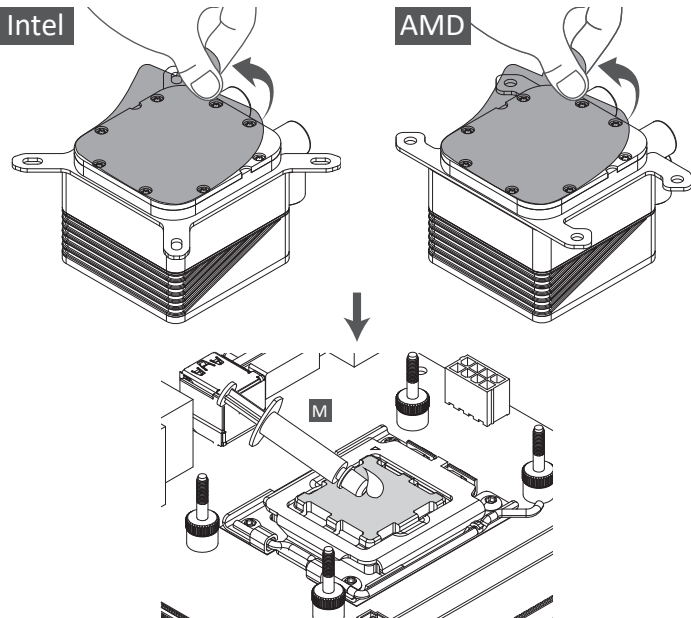
Installation Step 2

AMD Step 2-2



- EN** Tighten the AMD screw to the AMD stock backplate (included with the motherboard).
- DE** Schrauben Sie die AMD-Schrauben an der originalen AMD-Backplate (im Lieferumfang der Hauptplatine enthalten) fest.
- FR** Serrez soigneusement la vis AMD sur la plaque arrière AMD (fournie avec la carte-mère).
- JP** マザーボードに同梱されているAMD純正バックプレートをマザーボードの裏側に配置して、専用ネジで固定して下さい。
- TW** 將AMD螺絲鎖上。
- CN** 將AMD螺絲鎖上。
- KR** AMD 스크류(K)를 이용하여 백플레이트 나사홀에 단단히 고정해 주세요.

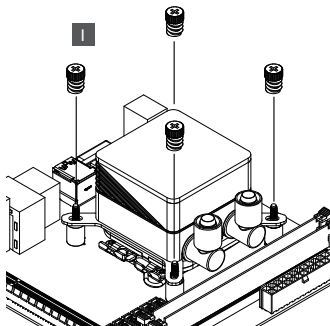
Installation Step 3



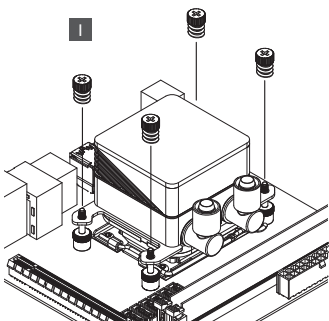
- EN** Remove the protect film from the cold-plate.
Apply the thermal grease evenly on the CPU surface.
- DE** Entfernen Sie die Schutzfolie von der Kühlplatte der Pumpe.
Verteilen Sie gleichmäßig eine dünne Schicht Wärmeleitpaste auf der CPU-Oberfläche.
- FR** Retirez le film protecteur de la plaque froide.
Appliquez une couche uniforme de pâte thermique sur la surface du processeur.
- JP** コールドプレートの保護フィルムを外して下さい。
サーマルグリスをCPUの表面に均一になるよう薄く塗って下さい。
- TW** 取下水冷頭保護貼膜。
將散熱膏均勻的塗抹於CPU表面。
- CN** 使用时请将水冷头保护贴膜取下。
请在CPU表面均与涂抹散热硅脂。
- KR** 쿨드 플레이트의 보호 필름을 제거하십시오.
CPU 표면에 구리스를 평평히 펴 바르십시오.

Installation Step 4

Intel



AMD



EN Align the pump and bracket over the stand-off screws then tighten the spring screws until all four corners are firmly secured.

DE Platzieren Sie die Pumpe auf der CPU und drehen Sie die Federschrauben fest bis alle vier Seiten fixiert sind.

FR Positionnez la pompe sur le processeur, et serrez les vis à ressort jusqu'à ce que les quatre coins soient bien fixés.

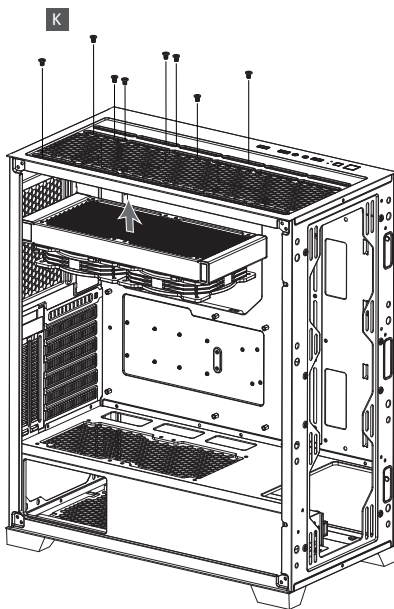
JP 専用ネジを使用して水冷ポンプをCPUの上に固定して下さい。

TW 將水冷頭置於CPU上，並鎖緊四邊彈簧螺絲。

CN 將水冷頭置於CPU上，並鎖緊四邊彈簧螺絲。

KR 워터 블록을 CPU 위에 위치하고 스프링 스크류(L)를 이용해 고정하세요.

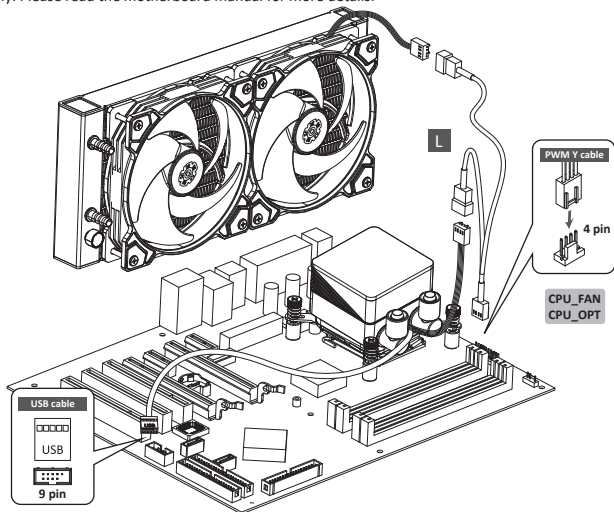
Installation Step 5



- EN** Attach the radiator to the chassis.
DE Installieren Sie den Radiator im Gehäuse.
FR Fixez le radiateur au châssis.
JP ラジエーターをケースに取り付けてください。
TW 將水冷排安裝於機殼上。
CN 將水冷排安裝于机壳上。
KR 라디에이터를 새시에 부착합니다.

Installation Step 6

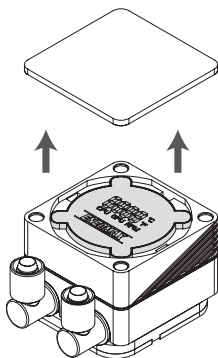
*Please connect the 4-pin Y cable connector to the necessary header in order to boot up the motherboard successfully. Please read the motherboard manual for more details.



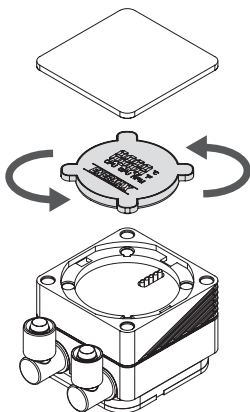
- EN** Connect both the fans and pump to the CPU_FAN or CPU_OPT 4-pin header using the PWM Y-splitter cable. Connect the digital signal cable (9-pin) of the LIQMAX IV to any USB 2.0 port on your motherboard to complete the connection.
- DE** Schließen Sie den Lüfter und die Pumpe mit dem PWM Adapterkabel an den 4-poligen Anschluss auf dem Motherboard an.
Verbinden Sie das digitale Signalkabel (9-polig) des LIQMAX IV mit einem beliebigen USB 2.0 Anschluss auf Ihrem Motherboard, um die Verbindung herzustellen.
- FR** Connectez les deux ventilateurs et la pompe à l'en-tête à 4 broches "CPU_FAN" ou "CPU_OPT" à l'aide du câble PWM en Y fourni.
Connectez le câble de signal numérique (9 broches) du LIQMAX IV à n'importe quel port USB 2.0 de votre carte mère pour finaliser la connexion.
- JP** PWM Y分岐ケーブルを使用して、ファンとポンプの両方をCPU_FANまたはCPU_OPT 4ピンヘッダに接続してください。
LIQMAX IVのデジタル信号ケーブル(9PIN)コネクタをマザーボードのUSB 2.0ソケットに差し込み、ケーブルを接続してください。
- TW** 將風扇與水泵用轉接線連接至主板的4 pin。
將LIQMAX IV的數位訊號線(9PIN)連接頭插入主機板上任一USB 2.0插座，完成線材連接。
- CN** 將風扇和水泵用轉接線连接到主板的4针接口。
將LIQMAX IV的数字信号线(9PIN)连接头插入主板上的任意USB 2.0插座，完成线材连接。
- KR** PWM Y-스플리터 케이블을 사용하여 팬과 펌프 모두 CPU_FAN 또는 CPU_OPT 4핀 헤더에 연결합니다.
LIQMAX IV의 디지털 단말 케이블(9핀)을 마더보드에 있는 아무 USB 2.0 포트에나 연결하여 연결을 완료합니다.

Change the Digital Display Orientation

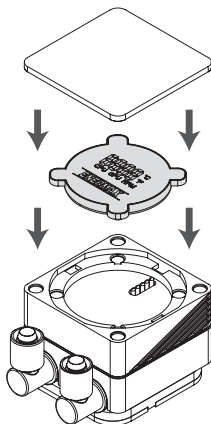
Step 1



Step 2



Step 3



EN Detach the magnetic cover and rotate the digital display to your preferred viewing angle.

DE Nehmen Sie die magnetische Abdeckung ab und drehen Sie die Digitalanzeige in den von Ihnen bevorzugten Blickwinkel.

FR Détachez le couvercle magnétique, puis faites pivoter l'écran numérique pour obtenir l'angle de vue qui vous convient.

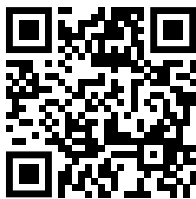
JP マグネット式カバーを取り外し、デジタルディスプレイをお好みの角度に回転させることができます。

TW 打開磁吸上蓋，並將數碼顯示屏旋轉到所需方向。

CN 打开磁吸上盖，并将数码显示屏旋转到所需方向。

KR 자석 덮개를 분리하고 디지털 디스플레이를 원하는 시야각으로 회전합니다.

ENERMAX Tuner Software User Manual



ENERMAX Tuner Software

- EN** Please go to <https://www.enermax.com/en/faq/category/enermax-tuner-software> or scan the QR code to download and install the ENERMAX Tuner software.
- DE** Bitte besuchen Sie die <https://www.enermax.com/en/faq/category/enermax-tuner-software> oder scannen Sie den QR-Code, um die ENERMAX Tuner Software herunterzuladen und zu installieren.
- FR** Rendez-vous sur <https://www.enermax.com/en/faq/category/enermax-tuner-software> ou scannez le QR code pour télécharger et installer le logiciel ENERMAX TUNER.
- JP** QRコードをスキャンするか、サイトにアクセスしてENERMAX Tunerソフトウェアをダウンロードしてインストールしてください。 <https://www.enermax.com/en/faq/category/enermax-tuner-software>
- TW** 請到<https://www.enermax.com/en/faq/category/enermax-tuner-software>或掃QR Code，下載ENERMAX Tuner軟體並安裝。
- CN** 請到<https://www.enermax.com/en/faq/category/enermax-tuner-software>或扫QR Code，下載ENERMAX Tuner软件并安装。
- KR** <https://www.enermax.com/en/faq/category/enermax-tuner-software>로 이동하거나 QR 코드를 스캔하여 ENERMAX Tuner 소프트웨어를 다운로드하고 설치합니다.

© 2025 ENERMAX TECHNOLOGY CORPORATION. All right reserved. Specifications are subject to change without prior notice. Some trademarks may be claimed as the property of others.



This is printed 100% recyclable paper with non-toxic vegetable oil based ink.

Jan. 2025