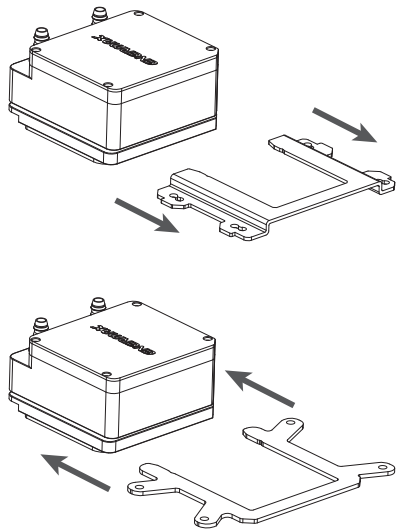
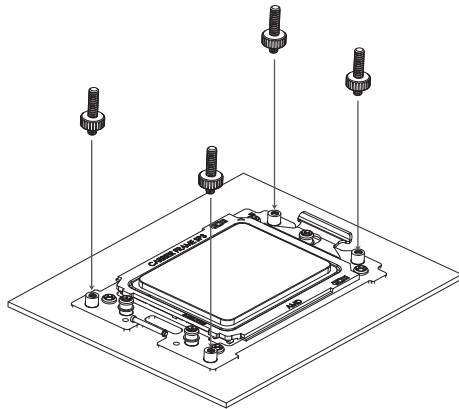


## sTR5 Installation

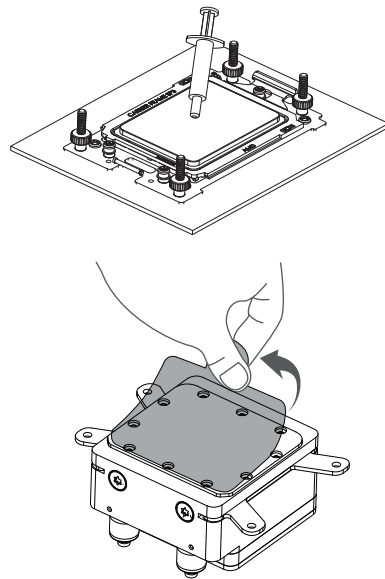
**Step A** If the bracket in your kit DOES NOT match the one shown at the top of Step A, skip Step A and proceed directly with Steps B through D.



**Step B**



**Step C**



**Step D**

