



EP237 ENERPAZO



EP237 ENERPAZO



- A Mini-Tower Case that Supports ATX M/B
- Supports up to 4 Devices(SSD/HDD)
- Pre-Installed 120mm ARGB Fan
- Supports 360 AIO in 38mm Thickness or 8 Fans Simultaneously
- 7 Reusable Slots for Flexible GPU Installation
- Magnetic Transparent Full-View Tempered Glass Side Panel
- Comes with Magnetic Dust Filter



Features

- **Excellent Airflow**
 - Optimized Airflow with Exclusive Panel Design to Meet Higher Cooling Demand Nowadays
- **High Compatibility**
 - Supports up to ATX Motherboard
 - Up to 4 Drives (3.5" HDD x 2, 2.5" SSD x 2 / 3.5" HDD x 1, 2.5" SSD x 3)
 - Supports 360 AIO in 38mm Thickness or 8 Fans Maximum
- **Outstanding Appearance**
 - White Ver. Option for Standout Building
 - Magnetic Transparent Full-View Tempered Glass Side Opening Panel to Show Your Exclusive Building
 - 1 Pre-Installed ARGB Fan for Dazzling Light Effect
- **Easy Installation & Dust Removal**
 - ENERMAX Cable Tie for Easy Cable Routing
 - Dust-Free with Magnetic Dust Filter and Side Opening Panel
 - Friendly Installation with 7 Reusable Slots



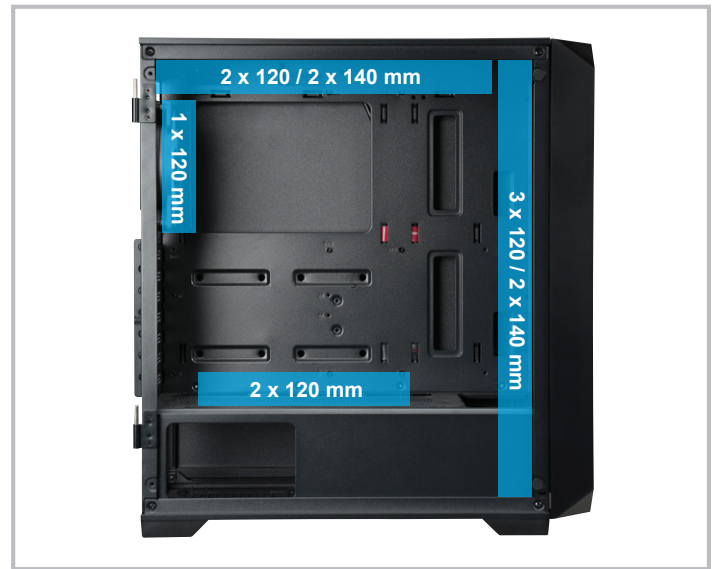
7 Reusable Slots



Magnetic Dust Filter on Top



Supports 360 AIO in 38mm Thickness



Maximum 8 Fans Installation



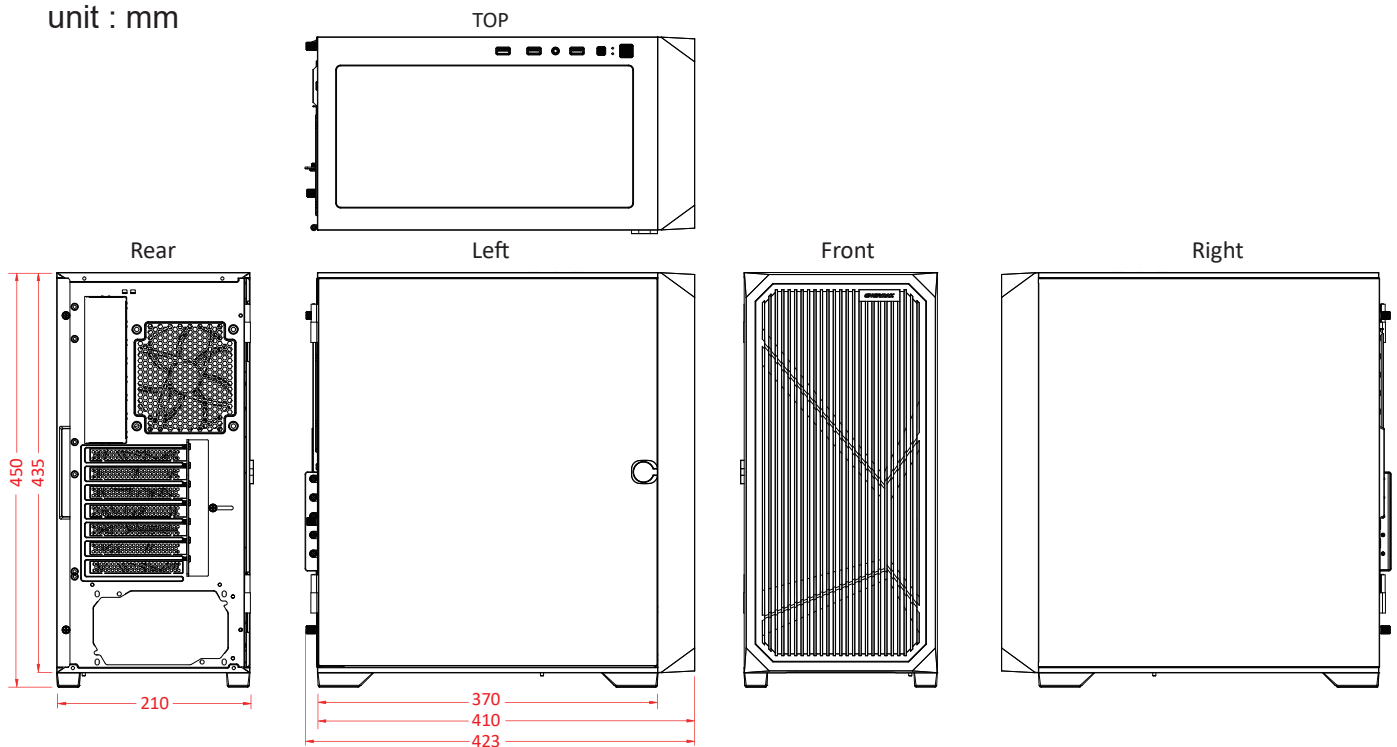
Supports 2 x 3.5" and 3 x 2.5"
(1 x Converted From 3.5" HDD Cage Drive Bay)



Mini ITX to ATX Motherboard Compatibility

Dimension

unit : mm



Specifications

Model Name		ECA-EP237-BB-ARGB	ECA-EP237-WW-ARGB
Dimensions (Case)		D370 x W210 x H435 mm (excl. panel & case feet)	
Material		Tempered Glass, SPCC	
M/B Type		ATX, Micro-ATX, Mini-ITX	
I/O		USB3.2 Gen1 x 2, USB 2.0 x 1, HD Audio	
Drive Bays	3.5"	2	
	2.5"	3 (1x converted from 3.5" HDD Cage)	
Expansion Slots		7	
Fan Support	Front	3 x 120 mm / 2 x 140 mm	
	Top	2 x 120 mm / 2 x 140 mm	
	Rear	1 x 120 mm	
	PSU Tunnel	2 x 120mm	
Radiator Support	Front	240 / 280 / 360 mm	
	Top	-	
	Rear	120mm	
	PSU	185 mm(Maximum)	
Clearance	GPU	325 mm(With Radiator) 365 mm (Without Radiator)	
	CPU Cooler	162 mm	
Cable Routing Space		25 mm	
Shipping Information			
Barcode	EAN	4713157728128	4713157728135
	UPC	819315028124	819315028131
Carton Dimension		D497 x W262 x H465 mm	
Gross Weight		6.13 kg	
Net Weight		5.06 kg	

*Product specifications are subject to change without notice.

*Options vary by countries or regions.

*For detailed information please visit our website at www.enermax.com

