



# StarryKnight SK30





## StarryKnight SK30

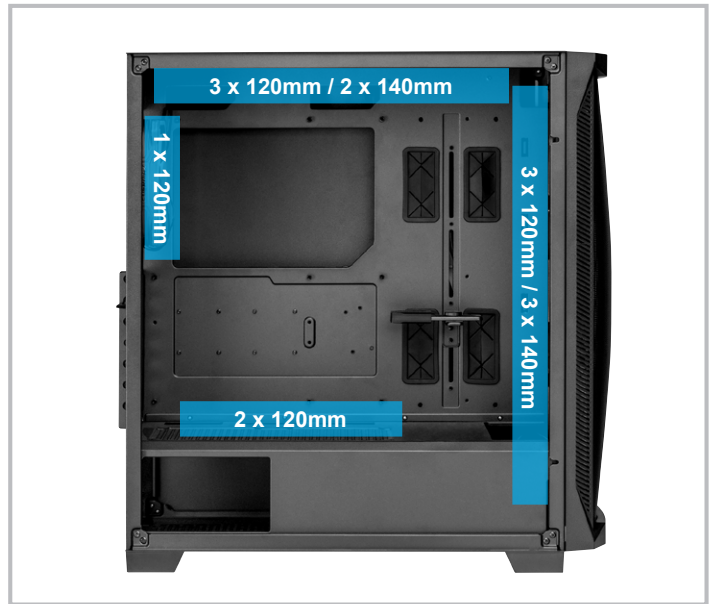
- *Build-in USB3.2 Type C*
- *4 Pre-installed SquA RGB ADV PWM Fans*
- *Reusable Slots & Tool-less GPU Holder*
- *Vertical GPU Installation Supported*
- *6-ports Control Hub for ARGB Lighting Sync & PWM Control*

### Features

- **Excellent Expandability**
  - I/O with USB 3.0 and USB 3.2 Type C Compliant with the Latest Common EU Charger from Europe an Parliament.
  - Supports E-ATX Motherboard for High-end System Building.
  - Support 360 AIO & 9 Fans in Maximum.
  - Up to 4 Drives (3.5" HDD x 2, 2.5" SSD x 2 / 2.5" SSD x 4).
  - Up to 200mm PSU Installation by Removing HDD Cage.
  - Two-vertically Expansion Slots for GPU Vertical Installation.
- **User-friendly**
  - Side I/O Ports Panel Design Unaffected Users to Rebuilt Front Panel Parts.
  - Tool-less GPU Holder to Prevent System Components from Sagging and Bending.
  - Dust Free with Removable Dust Filters on Both Top and Bottom Sides.
- **Dazzling RGB**
  - Build-in 6 Ports Control Hub Supports Addressable RGB Lighting Synchronization.
  - Pre-installed 4 SquA RGB ADV PWM Fans Present Unique RGB Lighting Effects.
  - 13 Pre-set Lighting Effects through IO Reset Button.



Supports Two 360 AIO Installation Simultaneously



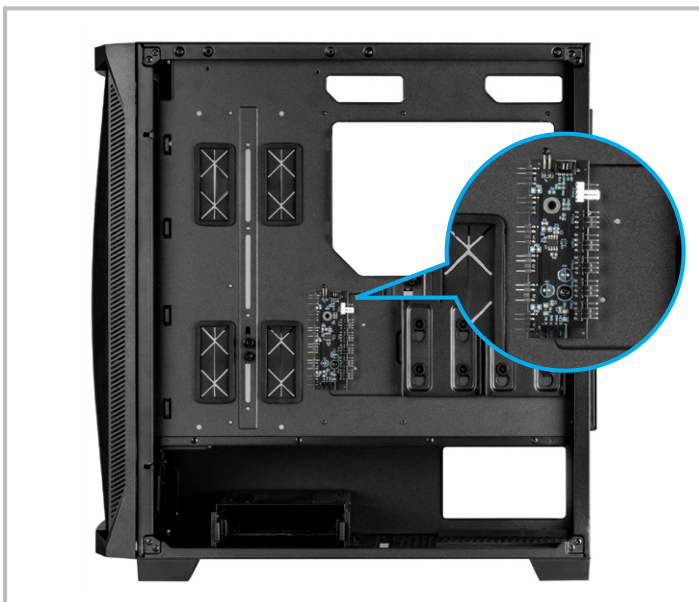
Maximum Nine Fans Installation



Optimized Airflow by Curved Mesh Panel



Tool-less GPU Holder

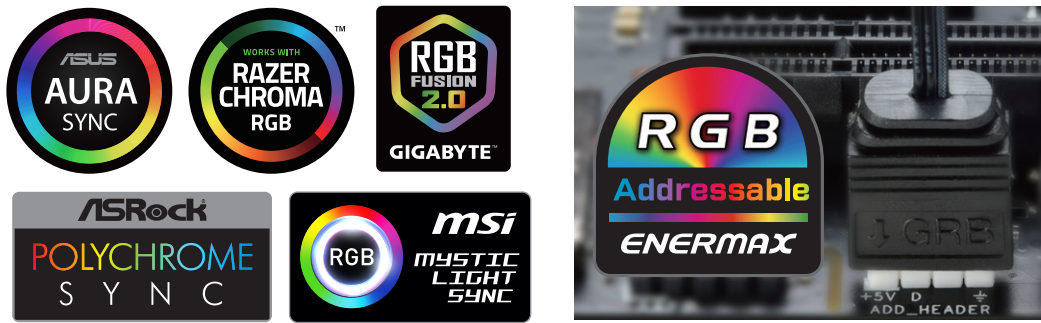


Build-in 6 Ports Addressable RGB Control Hub



7 Horizontally & 2 Vertically Reusable Expansion Slots

## 2 Ways to Control Addressable RGB Lighting Effects



### Through Motherboard Software

Users can sync the RGB lighting with motherboards featuring addressable RGB headers (3 pin assignment is 5V/D/G)



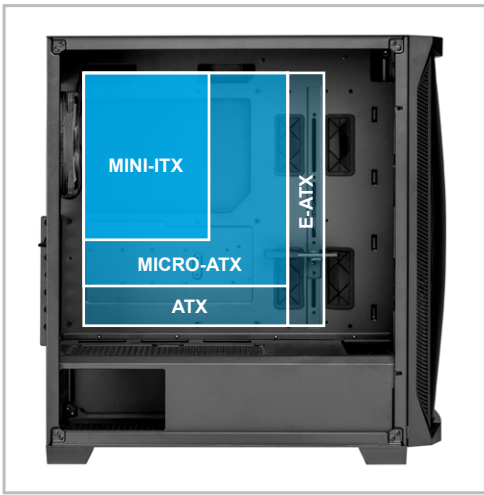
### Through Computer Case

To adjust the preferred lighting effects, users can utilize the lighting control button.  
(13 pre-set lighting effects : Rainbow, Snake, Peach & Green scroll, Colors breathe, Colors scroll, Bilateral colors scroll, Red, Green, Blue, White, Yellow, Azure, and Peach.)

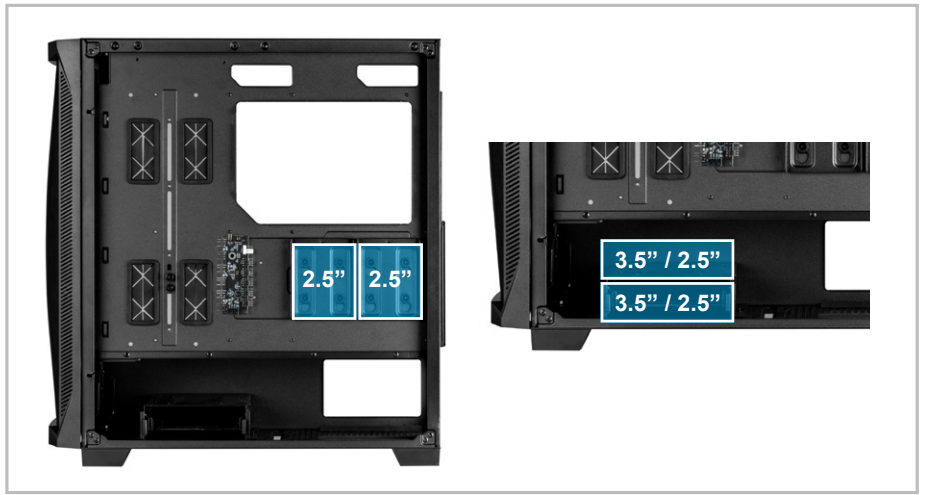
- \* Long press the lighting control button for 2~3 seconds to switch the RGB sync controlled by M/B or case
- \* The reset button located on the front I/O panel is replaced by the lighting control button



Removable Dust Filters on Both Top and Bottom Sides



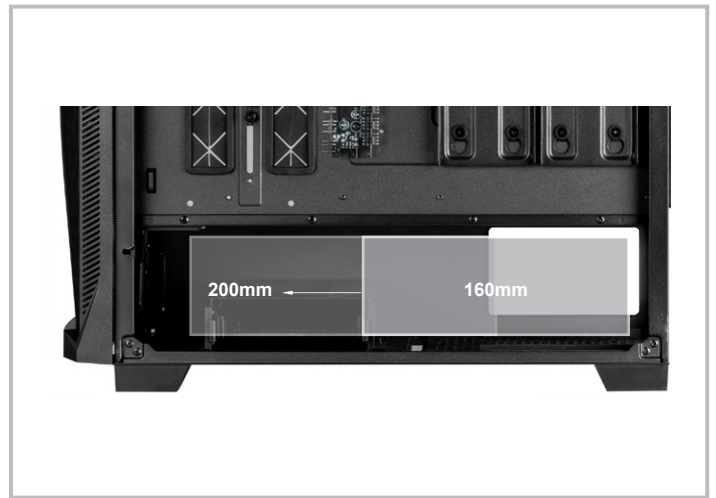
Mini ITX to E-ATX Motherboard Compatibility



Support 2 x 3.5" and 4 x 2.5"  
(2 x Converted From 3.5" HDD Cage Drive Bay)



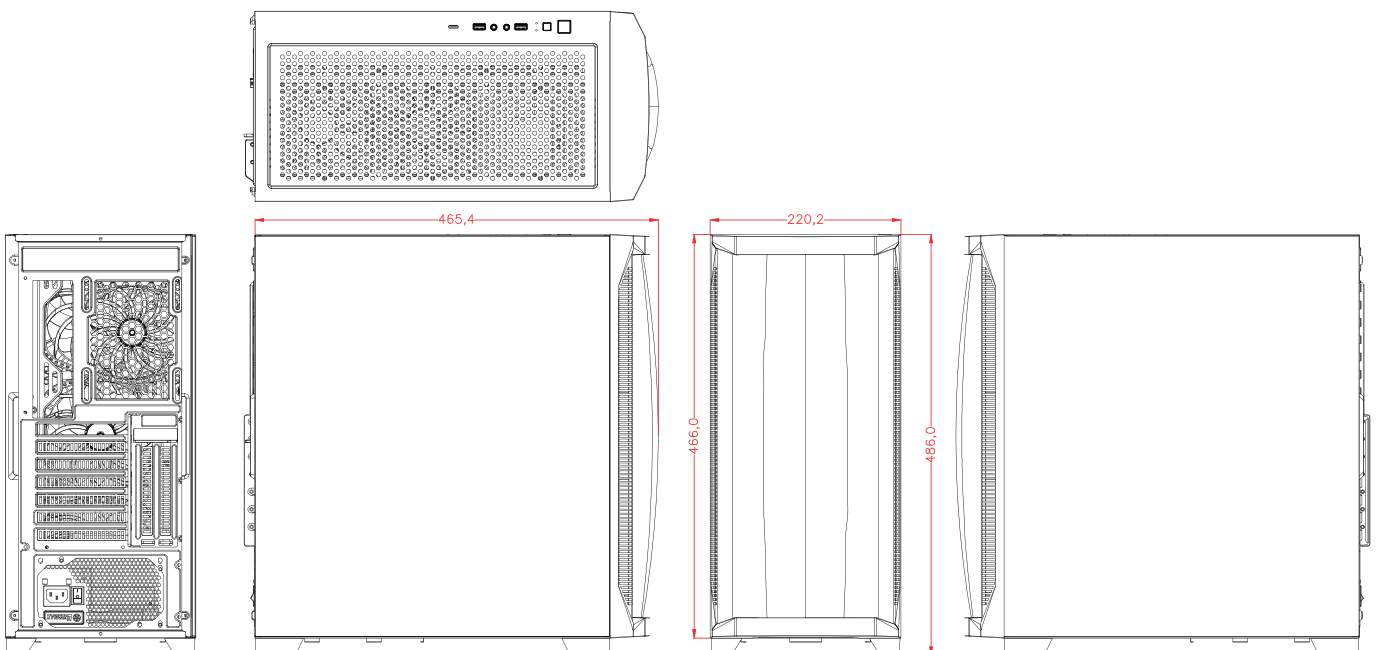
Supports Up to 405 mm GPU Installation



Supports Up to 200 mm PSU Installation

## Dimension

unit : mm



# Specifications

Model Number		ECA-SK30-BB-ARGB-01		ECA-SK30-BB-ARGB-02	
Dimensions(Case)		D465 x W220 x H486mm			
Material		Tempered Glass, SPCC			
M/B Type		E-ATX, ATX, Micro-ATX, Mini-ITX			
I/O		USB3.0 x 2, USB2.0 x 1, HD Audio		USB3.0 x 2, USB3.2 Type C x 1, HD Audio	
Drive Bays	3.5"	2			
	2.5"	4 (2 x converted from 3.5"HDD Cage)			
Expansion Slots		7+2 Verticla			
Pre-installed Fan		1 pcs	3 pcs	1 pcs	3 pcs
Fan	Dimension	120x120x26 mm	140x140x26 mm	120x120x26 mm	140x140x26 mm
	MTTF	≥40,000K hrs			
	Speed	1000±200RPM	1000±200RPM	500~1200RPM	500~1000RPM
	Rated Voltage	12V			
	Rated Current	0.13A	0.18A	0.08A	0.14A
	Rated Current-RGB LED	0.68A	1.08A		
	Air Flow	39.69CFM	56.74CFM	47.75CFM	56.74CFM
	Static Pressure	0.69mm-H2O	0.72mm-H2O	0.97mm-H2O	0.72mm-H2O
	Noise Level	17.5dBA	21.4dBA	21.7dBA	21.4dBA
	Connect	3pin		4pin	
Fan Support	Front	3 x 120mm / 3 x 140mm			
	Top	3 x 120mm / 2 x 140mm			
	Rear	1 x 120mm			
	PSU Tunnel	2 x 120mm			
Radiator Support	Front	240 / 280 / 360mm			
	Top	240 / 280 / 360mm			
	Rear	120mm			
Clearance	PSU	200mm(Maximum)			
	GPU	405mm			
	CPU Cooler	170mm			
Cable Routing Space		25mm			
Shipping Information					
Barcode	EAN	4713157726469		4713157727909	
	UPC	819315026465		819315027905	
Carton Dimension		D526 x W282 x H521mm			
Gross Weight		8.6 kg			
Net Weight		7.5 kg			

\*Product specifications are subject to change without notice.

\*Options vary by countries or regions.

\*For detailed information please visit our website at [www.enermax.com](http://www.enermax.com)

