

MK50 MAKASHI



MK50 MAKASHI

- Support Addressable RGB Lighting Synchronization
- Spacious Interior Supports E-ATX Motherboard
- Movable HDD Cage for 20cm PSU Installation

MAKASHI MK50, an addressable RGB-ready chassis, is characterized by a brilliant RGB lighting strip in the front, a movable HDD cage for longer PSU installation, a tempered glass side window, and versatile cooling support. The roomy E-ATX chassis offers 3 designated mounting positions for liquid coolers and can accommodate up to 8 fans, providing gamers and modders with great flexibility in cooling configuration. MAKASHI MK50 is absolutely a great choice for users to design their own masterpiece.



Features

Simple and decent exterior design

Unique lightning-shaped RGB strip in the front panel creates a visually appealing look; the lighting of the strip can be easily controlled via a button on I/O (13 pre-set effects)



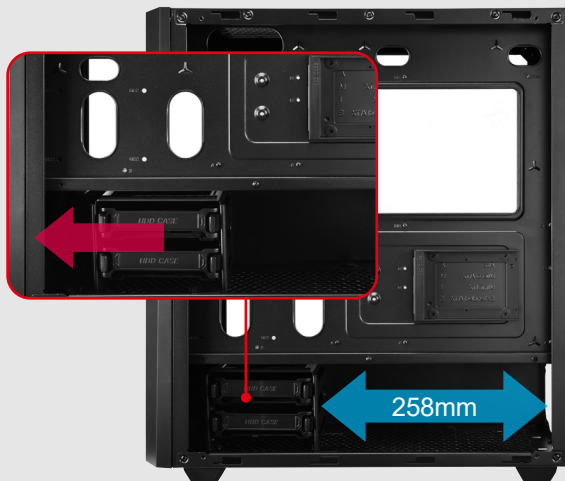
Addressable RGB lighting synchronization

Support synchronizable RGB Lighting via motherboards with header (3 pin assignment is 5V/D/G). Users can program preferred lighting effects via the motherboard software with 16.8 million color options

*Press and hold Lighting Control for 3 seconds to switch M/N sync and case control

Support E-ATX motherboard

Spacious interior supports E-ATX, ATX, Micro-ATX, and Mini-ITX motherboards



Movable HDD cage

Movable HDD cage can create extra space for longer PSU (max. 20cm) installation

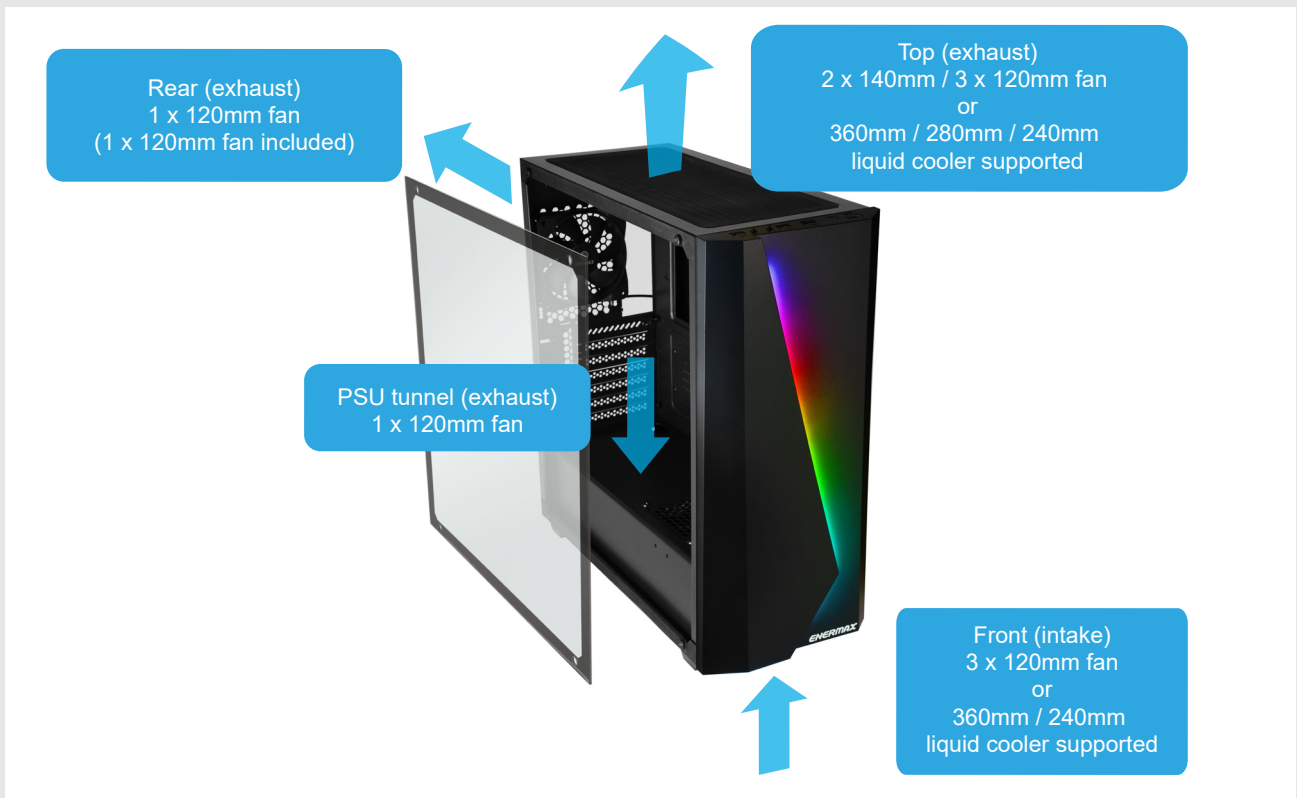
Versatile water cooling options

Flexible cooling system configuration supports 3 x designated areas for liquid cooler installation

Liquid Cooler Compatibility Chart					
Radiator size	360mm	280mm	240mm	140mm	120mm
Front	✓		✓		✓
Top	✓	✓	✓	✓	✓
Rear					✓



Advanced ventilation system to support up to 8x fans



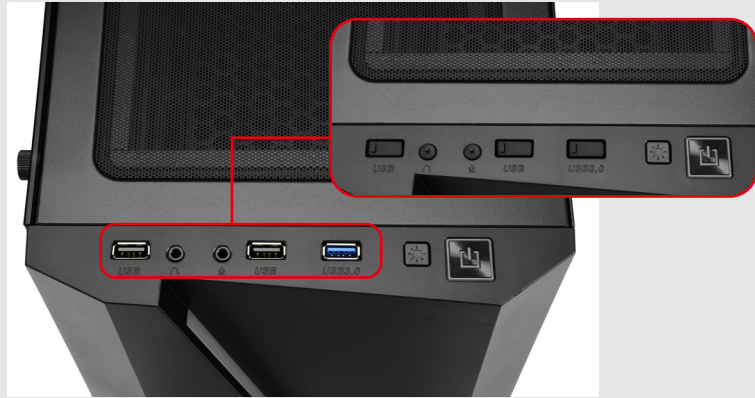
Flexible system configuration



4mm panoramic tempered glass window

4mm full-view tempered glass side panel allows you to show off your rigs

Anti-dust rubber plugs

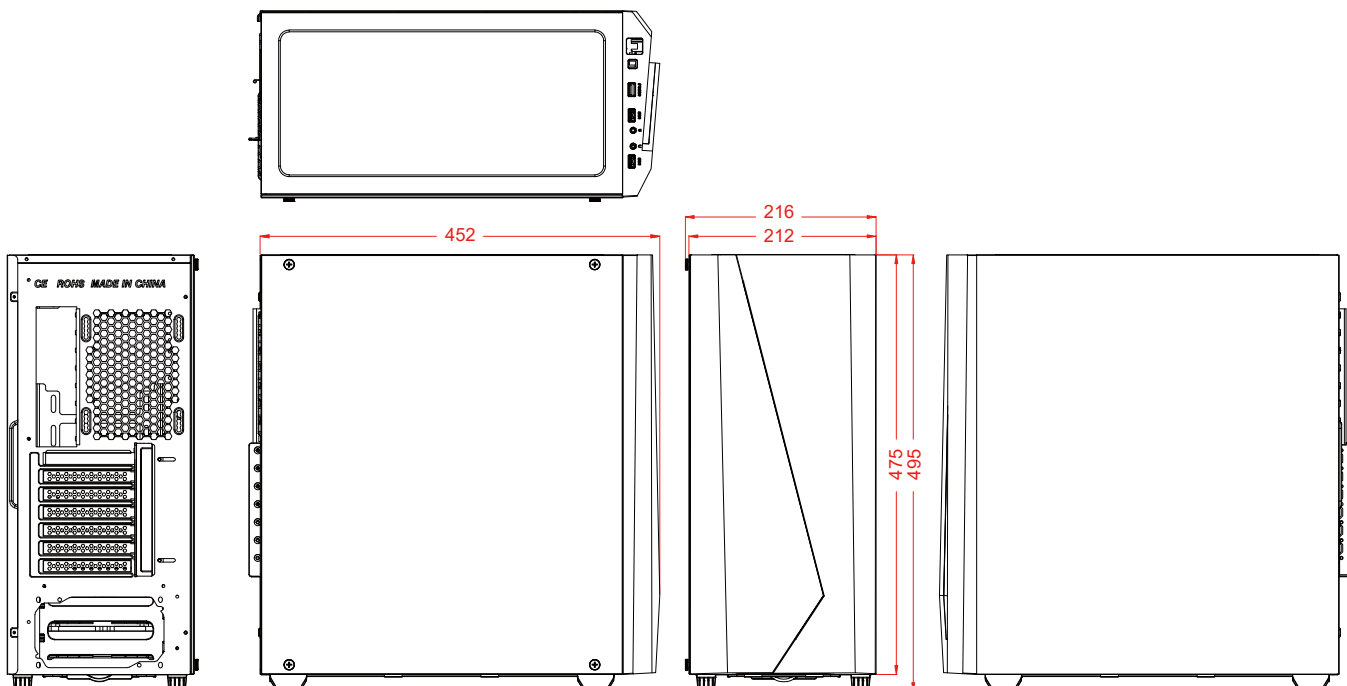


PSU-Tunnel design (aka PSU shroud)

The design minimizes the cable clutter, which makes the system clean and neat, and helps improve the air circulation

Dimensions

unit: mm



Specifications

Model Number		ECA-MK50-BB-ARGB
Dimensions		D452 x W212 x H495mm
Material		SPCC, T=0.6mm
M/B Type		E-ATX, ATX, Micro ATX, Mini ITX
LED Strips		Addressable RGB 3 pin assignment is 5V/D/G
I/O		USB3.0 x 1, USB2.0 x 2, HD Audio, Lighting control
Drive Bays	3.5"	2
	2.5"	6 (2 x Converted from 3.5"HDD tray)
Expansion Slots		7
Fan Slots	Front	3 x 120mm
	Top	2 x 140mm or 3 x 120mm
	Rear	1 x 120mm (1 x 120mm fan pre-installed)
	PSU Tunnel	1 x 120mm
Liquid Cooling	Front	360mm / 240mm
	Top	360mm / 280mm / 240mm
	Rear	120mm
PSU		180mm / 200mm (Moving HDD cage forward)
Clearance		Suggested VGA Card Length: 410mm
		Suggested CPU Cooler Height: 160mm
Shipping Information		
Barcode	EAN	4713157724014
	UPC	819315024010
Carton Dimensions		D535 x W270 x H520mm
Gross Weight		8kgs
Net Weight		6.8kgs

*Options vary by countries or regions.