



ETS-TD60D-ARGB

ARGB
ETS-TD60D
CPU COOLER



ARGB

ETS-TD60D

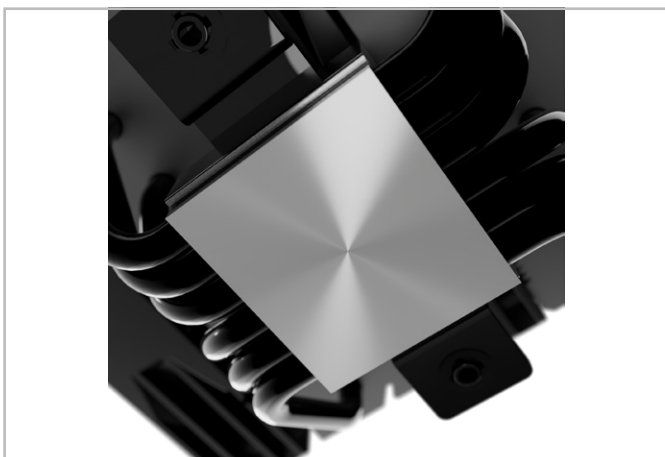
CPU COOLER

- Supports up to 280W TDP
- Dual-Tower Heatsink Design
- Nickel-Plated Copper Base Conducts Heat More Evenly
- 2 x 120mm FDB Fans Included
- PWM Controlled Fan to Optimize Airflow and Silent Operation
- Real-time Digital Status Display



Features

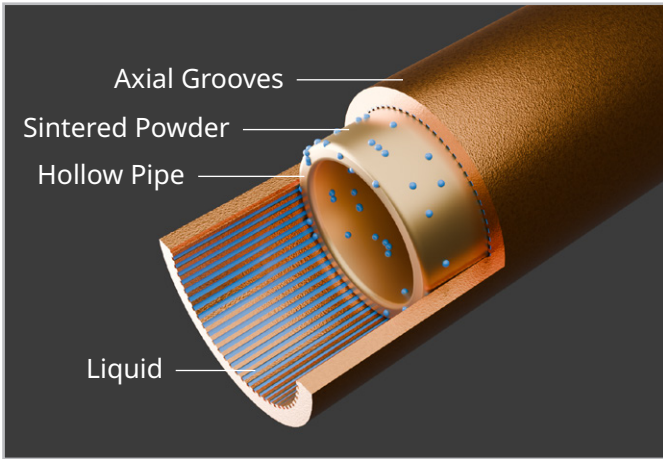
- **Superior Cooling Capacity: 280W TDP**
The ETS-TD60 Digital ARGB CPU air cooler features a dual-tower, dual-fan design (one 120mm non-illuminated fan and one 120mm ARGB fan), with six Ø6 mm heat pipes, delivering up to 280W TDP cooling performance.
- **Composite Heat-Pipe Design**
ETS-TD60 Digital ARGB CPU air cooler efficiently manages heat transfer and lowers the CPU temperature by 1 °C compared to other coolers with the same power consumption.
- **PWM-Controlled FDB Fan**
The 120 mm F.D.B. (Fluid Dynamic Bearing) fan delivers quiet operation while maintaining cooling performance.
- **System Data Monitoring**
Effortlessly monitor the temperatures of CPU, GPU and fan speed with the digital display.
- **Sync with Motherboard RGB Software**
ETS-TD60 Digital ARGB air cooler is designed to synchronize with addressable RGB motherboards (3 pin assignment is 5V/D/G), providing 16.8 million colors to light up your rigs
- **Nickel-Plated Copper Base Conducts Heat More Evenly**
The nickel-plated copper base seamlessly contacts the CPU and fully covers all hotspots, effectively enhancing heat transfer efficiency.



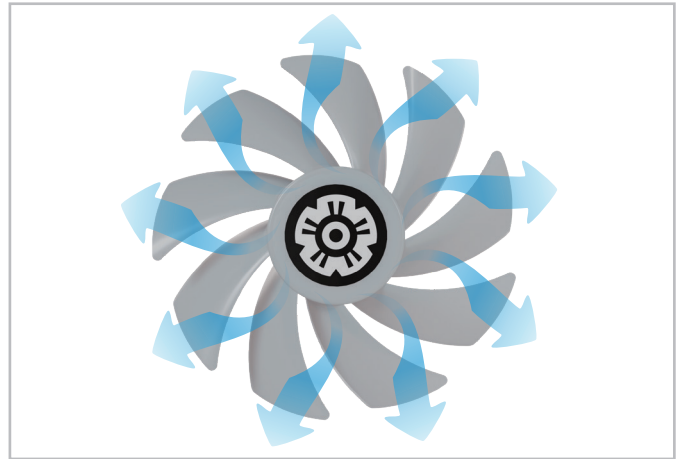
Nickel-Plated Copper Base Conducts Heat More Evenly



Dual-Tower Heatsink Design



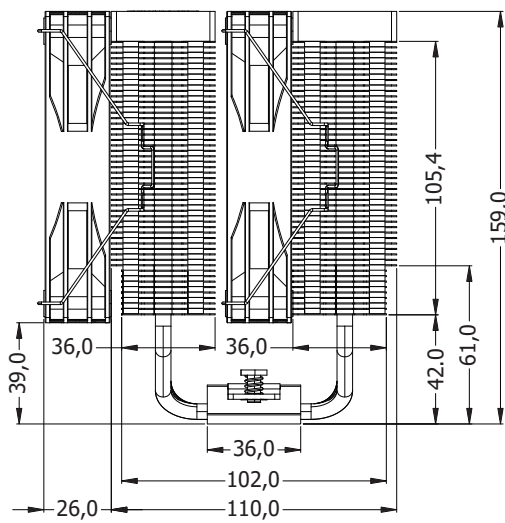
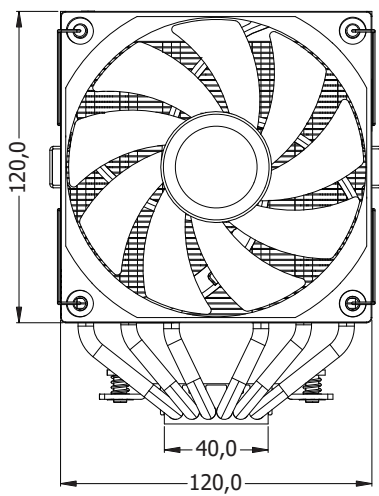
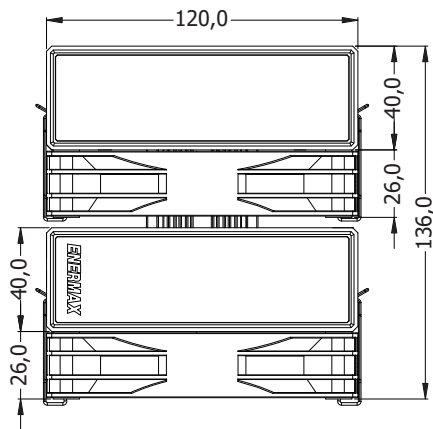
Composite Heat-Pipe Design



PWM-Controlled Fan with a 9-Blade Design

Dimension

unit : mm



Specifications

Model		ETS-TD60D-ARGB
CPU Socket		Intel® LGA1851/1700/115x/1200 AMD® AM5/AM4
Overall Dimension		120 X 134 x 159 mm
Weight		1015g (W/ fan)
Heat Pipe		6 x Ø6 mm
Display Module rated voltage		5V
Display Module Rated Current		40~80mA
Material		Copper Cold Plate / Aluminum Fins
Fan (1 ARGB + 1 Non-illuminated)	Dimension	120 x 120 x 25 mm
	Speed	600~1600 RPM ±10%
	Bearing	Fluid Dynamic Bearing
	Air Flow	29.46~69.63 CFM
	Air Flow	50.05~118.30 m³/h
	Static Pressure	0.36~1.39 mmH2O
	Noise	25 dBA (Max)
	Rated Voltage	12V
	Rated Current	0.19A
	Rated Voltage - RGB LED	5V
	Rated Current - RGB LED	0.28A
	MTTF	≥ 80,000 hrs
	Connector	4 Pin PWM + 3 Pin ARGB
Thermal Grease		Thermal grease included
TDP		280W

Logistic information

Barcode	EAN	4713157729378
	UPC	819315029374
Box Dimension	170 x 156 x 213 mm	
Gross Weight / Unit	1.38 kg	
Carton Dimension	487 x 352 x 467 mm	
Q'ty / Carton	12 pcs	
Gross Weight / Carton	18 kg	