

ETS-T50

With 14cm High Pressure Blades Silent Fan



ETS-T50A-FSS

ETS-T50 AXE

With 14cm High Pressure Blades Silent Fan

- Support up to 230W+ TDP
- 14cm silent fan with huge airflow design
- Patented Air Guide
- Patented Pressure Differential Flow (PDF) design

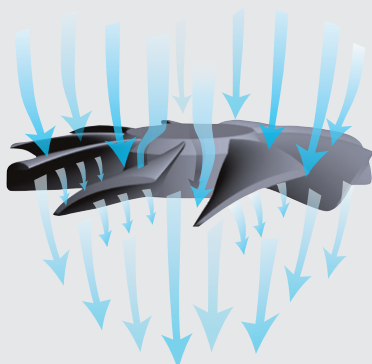
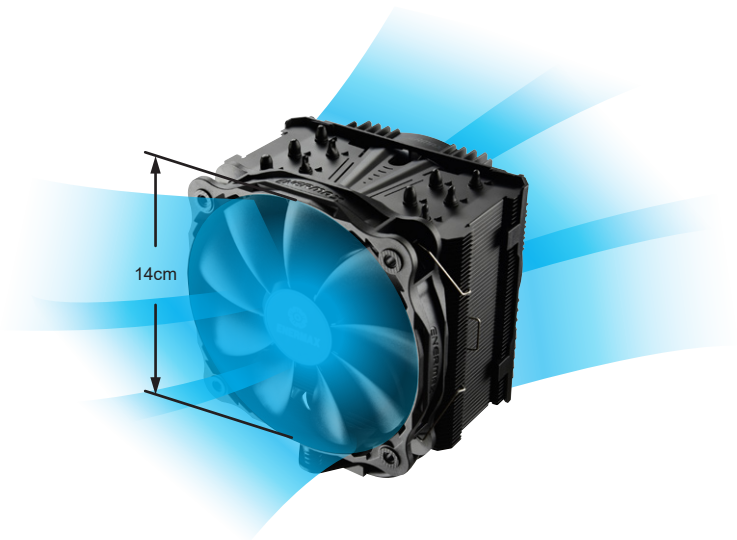
ETS-T50A-FSS, a variant of ETS-T50 AXE coolers, is equipped with a 14cm high pressure blades silent fan that aims to reach the perfect balance between silence and performance. This 14cm silent version CPU cooler features patented Pressure Differential Flow design, Vortex Generation Flow, proven VEF design and also the smart gadget design- air guide to enhance the cooling capacity. Besides, five Ø6mm heat pipes cooperated with 14cm silent fan offer users an outstanding cooling solution with powerful 230W+ TDP support.



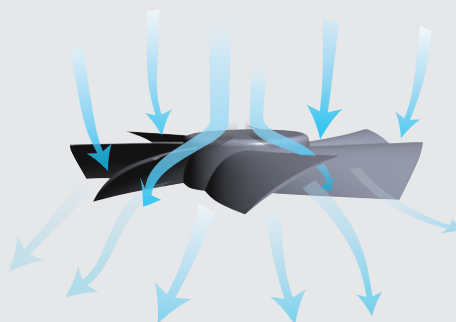
ETS-T50A-FSS

Features

- Included 14cm silent fan aims to reach the perfect balance between silence and performance



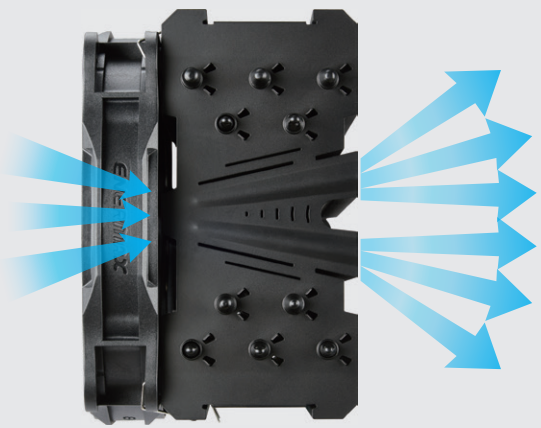
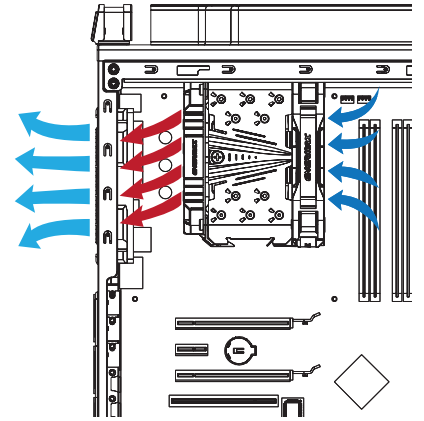
ETS-T50A-FSS



Other cooler – Normal fan

- Innovative High Pressure Blades design enhances the cooling performance

Patented Air Guide with rotatable grill for preferred airflow direction adjustment directly toward the rear case fan area



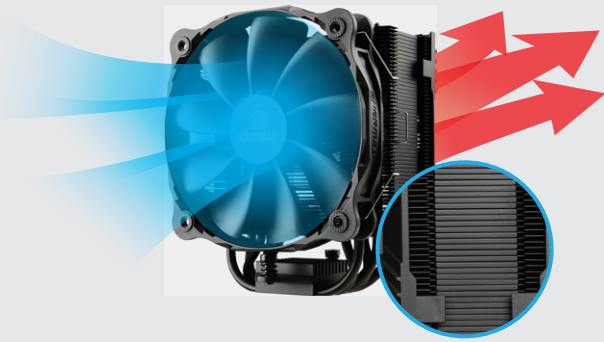
+ 15%
airflow

Patented PDF (Pressure Differential Flow) design uses differential wind pressure to increase 15% more airflow.

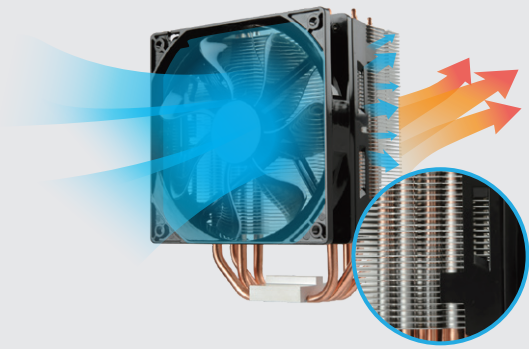
Asymmetric heat pipe design allows extra space for ideal RAM compatibility



Unique air path creating high VEF (Vacuum Effect) to optimize the airflow

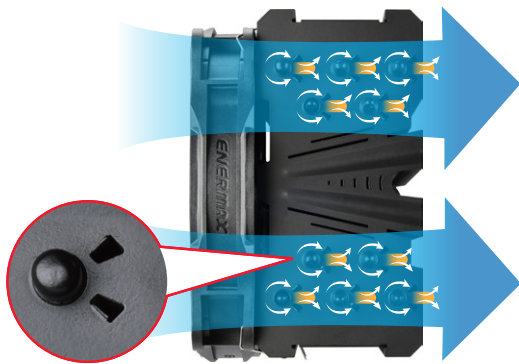


ETS-T50 AXE – no air leaks from sides

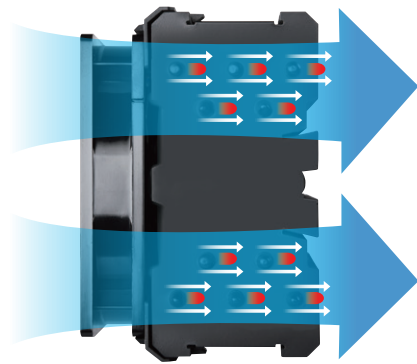


Other cooler - air leaks from sides

Patented VGF (Vortex Generation Flow) to increase air convection around the heat pipe



ETS-T50 AXE



Other cooler

Patented Twister Bearing technology



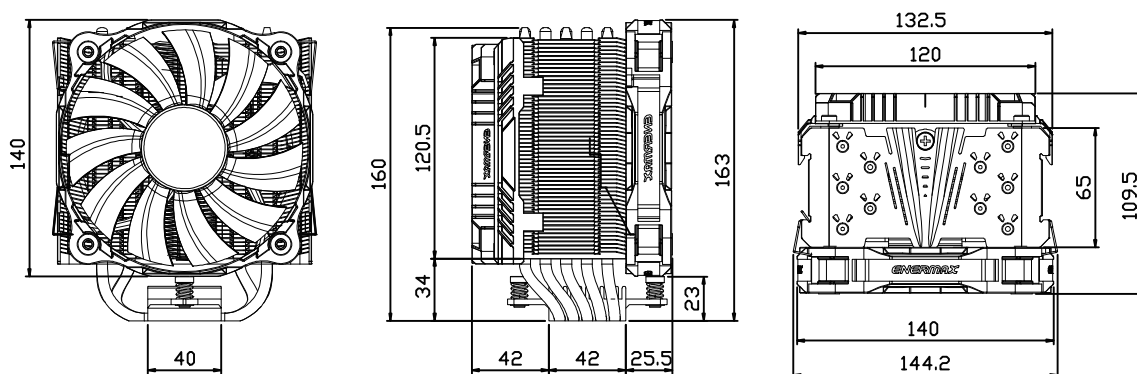
Long life and low noise



Detachable blade for easy cleaning

Dimension

unit:mm



Specifications

ETS-T50A-FSS

Compatible Socket	Intel® LGA 1851/1700/1200/115x/2066/2011/2011-3/1366 AMD® AM5/AM4/AM3+/FM2+/FM1	
Overall Dimension	144.2(L) x 109.5(W) x 163(H) mm	
Heat Sink Dimension	135.2(L) x 65(W) x 160(H) mm	
Weight	864g (w/ fan)	
Heat Pipe	5 x Ø6 mm	
Material	Copper Heat Pipes/ Aluminum Fins	
Thermal Grease	Thermal grease included	
Fan	Fan Dimension	140 x 140 x 25.5 mm
	Speed (RPM)	500 ~ 1000 ±10%
	Air Flow (CFM)	29.78~ 55.45
	Air Flow (m³/h)	50.59~ 94.21
	Static Pressure (mm-H ₂ O)	0.57~ 2.13
	Minimal Noise (dBA)	13~ 22
	Connector	4 pin connector
	Rated Voltage	12V
	Bearing Type	Twister Bearing
MTBF	≧ 160,000 hours @ 25°C	

Shipping Information

Barcode	EAN: 4713157723376 / UPC: 819315023372
Box Dimension	222 x 175 x 130 mm
Gross Weight / Box	1390 g
Carton Dimension	460 x 370 x 295 mm
Q'ty / Carton	8 pcs
Gross Weight / Carton	12.5 kg